

# PhaseCap Premium PFC Capacitors

Gas-impregnated • Dry type • Concentric winding • Wavy cut • Triple safety system



## General

PhaseCap capacitors in cylindrical aluminum cases have been designed for power factor correction in low-voltage applications.

Loads like motors and transformers consume active power as well as reactive power.

Generators, supply cables and other electrical distribution equipment, in turn, should be relieved of reactive power.

The MKK (metalized plastic compact) AC series is intended to increase packing density per bank and cut component costs.

Improved thermal response and simplified installation are advantages of the cylindrical aluminum case.

**PoleCap Capacitors:**  
A modified version of PhaseCap capacitor with connection cable, suitable for long-term out door applications and for mounting on the pole.



## Applications

- Automatic PFC equipment, capacitor banks
- Individual fixed PFC (e.g. motors, transformers, lighting)
- Group fixed PFC
- Detuned capacitor banks
- Filter applications
- Dynamic PFC

## Features

- Compact design in cylindrical aluminum can with stud
- Concentric winding
- MKK-technology with wavy cut and heavy edge
- Voltage range 230 V ... 800 V
- Output range 5.0 ... 33 KVAR

## Electrical

- Long life expectancy
- High pulse current withstand capability

## Mechanical and maintenance

- Reduced mounting costs
- Mounting position upright/ horizontal
- Maintenance-free
- Highest packing density thanks to compact dimensions

## Safety

- Self-healing
- Overpressure disconnecter
- Shock hazard protected terminals
- Longterm approved
- Ceramic discharge resistor pre-mounted

## Environmental

- Dry design, inert gas
- No oil leakage

# PhaseCap Premium PFC Capacitors

Gas-impregnated • Dry type • Concentric winding • Wavy cut • Triple safety system



Technical data : PhaseCap Premium PFC Capacitors	
<b>Series Type</b>	B25667L
<b>Power-KVAr</b>	5...31KVAr
<b>Rated voltage-V (AC)</b>	415...800 V*
<b>Frequency</b>	50 Hz
<b>Transient peak current maximum permissible</b>	300 • I <sub>R</sub>
<b>Maximum permissible temperature category</b>	-40/D
<b>Losses (without discharge resistors)</b>	0.5W/KVAr
<b>Maximum Permissible voltage</b>	V <sub>R</sub> + 10% (up to 8 h daily) / V <sub>R</sub> + 15% (up to 30 min daily)** V <sub>R</sub> + 20% (up to 5 min daily) / V <sub>R</sub> + 30% (up to 1 min daily)**
<b>Maximum Permissible current</b>	Up to 1.6 • I <sub>R</sub> ***
<b>Safety</b>	Self-healing, overpressure disconnecter
<b>Impregnation</b>	Gas-impregnated, dry type, Non-PCB
<b>Life expectancy</b>	Up to 130 000 h for -40/D Up to 180 000 h for -40/C
<b>Cooling</b>	Natural or forced
<b>Case shape/finish</b>	Extruded round aluminium can with stud
<b>Terminal</b>	Optimized capacitor safety terminals
<b>Mounting and grounding</b>	Threaded stud at bottom of can (max. torque for M12=10Nm)
<b>Enclosure</b>	IP 20, indoor mounting (optionally with terminal cap for IP54)
<b>Discharge resistor</b>	Provided with discharge resistor
<b>Connection</b>	Delta
<b>Casing of capacitor cell</b>	Extruded round aluminium can with stud
<b>Dielectric</b>	Polypropylene film (metallised)
<b>No. of switching per annum</b>	Max. 7500 switching
<b>Reference standard</b>	IEC60831-1/2, UL 810-5th edition

\* Other voltages available on request

\*\* V<sub>R</sub> rated voltage

\*\*\* I<sub>R</sub> : RMS line current that occurs at rated sinusoidal voltage and rated frequency, excluding transients.

Note: for capacitors with different features/parameters than above, please check with our nearest sales office

# PhaseCap Premium PFC Capacitors

Gas-impregnated • Dry type • Concentric winding • Wavy cut • Triple safety system



PhaseCap Premium PFC Capacitors - 3 Phase								
Rating KVAR	Voltage V (AC)	Material code	I <sub>R</sub> A	C <sub>N</sub> F	d x h mm	Packing units	MOQ	Approx weight Kg
<b>PhaseCap - 415 V(AC) 3PH, 50Hz (Series B25667)</b>								
5	415	B25667L4926A375	7.0	3 x 30.8	116 x 164	1	4	1.1
6.3	415	B25667L4117A375	8.8	3 x 38.5	116 x 164	1	4	1.2
10	415	B25667L4197A375	13.9	3 x 64.1	116 x 164	1	4	1.2
12.5	415	B25667L4237A375	17.4	3 x 77	116 x 164	1	4	1.3
15	415	B25667L4277A375	20.9	3 x 92.5	116 x 164	1	4	1.4
16.7	415	B25667L4307A375	23.2	3 x 102.9	116 x 164	1	4	1.5
20	415	B25667L4387A375	27.8	3 x 128.2	116 x 200	1	4	1.7
25	415	B25667L4467A375	34.8	3 x 154.1	136 x 200	1	4	2.1
<b>PhaseCap - 440 V(AC) 3PH, 50Hz (Series B25667)</b>								
5	440	B25667L4826A375	6.6	3 x 27.4	116 x 164	1	4	1.2
7.5	440	B25667L4127A375	9.8	3 x 41.1	116 x 164	1	4	1.2
10.4	440	B25667L4177A375	13.7	3 x 57	116 x 164	1	4	1.3
12.5	440	B25667L4207A375	16.4	3 x 68.5	116 x 164	1	4	1.4
14.2	440	B25667L4237A365	18.6	3 x 77.9	116 x 164	1	4	1.4
15	440	B25667L4247A375	19.7	3 x 82.2	116 x 164	1	4	1.5
20	440	B25667L4347A375	26.2	3 x 114.1	136 x 200	1	4	2.0
25	440	B25667L4417A375	32.8	3 x 137.1	136 x 200	1	4	2.1
<b>PhaseCap - 480 V(AC) 3PH, 50Hz (Series B25667)</b>								
5	480	B25667L4696A375	6.0	3 x 23	116 x 164	1	4	1.2
6.25	480	B25667L4866A375	7.5	3 x 28.3	116 x 164	1	4	1.2
7.5	480	B25667L4107A375	9.0	3 x 34.6	116 x 164	1	4	1.3
8	480	B25667L4117A365	9.6	3 x 38.4	116 x 164	1	4	1.3
10	480	B25667L4147A375	12.0	3 x 47.9	116 x 164	1	4	1.4
12.5	480	B25667L4177A365	15.0	3 x 57.6	116 x 164	1	4	1.5
15	480	B25667L4207A365	18.0	3 x 69.1	116 x 200	1	4	1.5
16.7	480	B25667L4237A355	20.1	3 x 76.9	116 x 200	1	4	1.8
20	480	B25667L4287A375	24.1	3 x 95.8	136 x 200	1	4	2.2
25	480	B25667L4347A365	30.1	3 x 115.2	136 x 200	1	4	2.5
31	480	B25667L4427A375	37.3	3 x 143	136 x 200	1	4	3.0
<b>PhaseCap - 525 V(AC) 3PH, 50Hz (Series B25667)</b>								
6.25	525	B25667L5726A375	7.0	3 x 24.1	116 x 164	1	4	1.1
8	525	B25667L5966A375	8.8	3 x 32.1	116 x 164	1	4	1.1
10	525	B25667L5127A375	11.0	3 x 40.1	116 x 164	1	4	1.2
12.5	525	B25667L5147A375	13.8	3 x 48.1	116 x 164	1	4	1.3
15	525	B25667L5177A375	16.5	3 x 57.1	116 x 200	1	4	1.8
16.7	525	B25667L5197A375	18.4	3 x 64.3	116 x 200	1	4	1.8
20	525	B25667L5247A375	22.0	3 x 80.1	136 x 200	1	4	2.2
25	525	B25667L5287A375	27.5	3 x 96.3	136 x 200	1	4	2.5
30	525	B25667L5347A375	33.0	3 x 115.5	136 x 200	1	4	2.8

# PhaseCap Premium PFC Capacitors

Gas-impregnated • Dry type • Concentric winding • Wavy cut • Triple safety system



PhaseCap Premium PFC Capacitors - 3 Phase								
Rating KVAR	Voltage V (AC)	Material code	I <sub>r</sub> A	C <sub>N</sub> F	d x h mm	Packing units	MOQ	Approx. weight Kg
<b>PhaseCap - 690 V(AC) 3PH, 50Hz (Series B25667)</b>								
5	690	B25667C6336A375	4.2	3 x 11	116 x 164	6	6	1.3
10	690	B25667C6676A375	8.4	3 x 23	116 x 164	6	6	1.4
12.5	690	B25667C6836A375	10.5	3 x 28	116 x 164	6	6	1.5
15	690	B25667C6107A375	12.6	3 x 34	116 x 164	6	6	1.5
20.8	690	B25667C6137A375	17.5	3 x 47	136 x 200	4	4	2.0
25	690	B25667C6167A375	21	3 x 56	136 x 200	4	4	2.2
<b>PhaseCap - 800 V(AC) 3PH, 50Hz (Series B25667)</b>								
5	800	B25667C7246A375	3.6	3 x 8	116 x 164	6	6	1.2
7.5	800	B25667C7376A375	5.4	3 x 12.4	116 x 164	6	6	1.2
10	800	B25667C7496A375	7.2	3 x 17	116 x 164	6	6	1.3
12.5	800	B25667C7626A375	9	3 x 21	116 x 164	6	6	1.4
15	800	B25667C7746A375	11	3 x 25	116 x 164	6	6	1.5
20	800	B25667C7996A375	14.5	3 x 33	136 x 200	4	4	2.0
25	800	B25667C7127A375	18	3 x 41	136 x 200	4	4	2.3
28	800	B25667C7137A375	20	3 x 46	136 x 200	4	4	2.4

Other voltages available on request.

Packing units for capacitors equal minimum order quantity .

Orders will be rounded up to packing unit or multiple thereof .

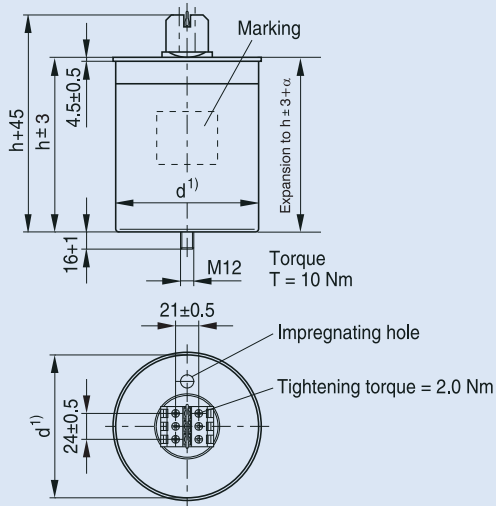
# PhaseCap Premium PFC Capacitors

Gas-impregnated • Dry type • Concentric winding • Wavy cut • Triple safety system



## Dimensional drawings

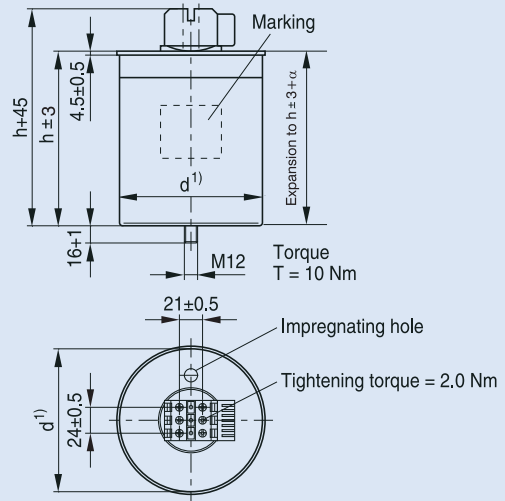
### Capacitor up to 690 V AC



- 1) Seaming adds 5.5 mm in diameter
- 2) Expansion  $\alpha$  max. 15 mm

KLK1841-1-E

### Capacitor > 690 V AC



- 1) Seaming adds 5.5 mm in diameter
- 2) Expansion  $\alpha$  max. 15 mm

KLK1834-I-E

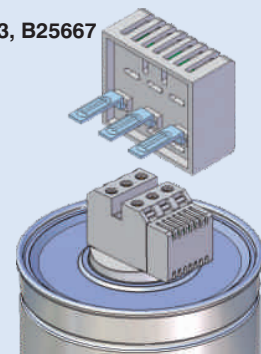
## Discharge resistor

Pre-mounted for series B25667, B25673  
available as spare parts upon request



## Discharge resistor module

Side mounted discharge  
resistor module for B25673, B25667  
and B25669 series



# PhaseCap Super Heavy Duty PFC Capacitors

Semi-dry biodegradable resin • Concentric winding • Wavy cut • Dual safety system



## General

The new PhaseCap Super Heavy Duty (SHD) PFC capacitor is based on the EPCOS MKK technology known for many years from the successful PhaseCap series with its unique concentric windings . Based on years of experience in PFC and millions of sold capacitors ,EPCOS presents the next step in PFC capacitor evolution . Using polypropylene as dielectric and semi dry biodegradable resin as impregnation agent ,the PhaseCap Super Heavy Duty (SHD)

offers higher inrush current capability (up to  $400 \cdot I_R$ ) and over current capability (up to  $2 \cdot I_R$ ) even compared to PhaseCap .With an output of up to 33 KVAR at very small height it meets the dimensional requirements of panel builders .Its new enhanced terminals permit the connection of a broader variety of cables and cable sizes .Depending on the operating conditions PhaseCap Compact provides a life expectancy of up to 200 000 hours ,more than any other capacitor in the EPCOS PFC capacitor portfolio besides MKV .



## Applications

- Automatic PFC equipment, capacitor banks
- Individual fixed PFC (e.g. motors, transformers, lighting)
- Group fixed PFC
- Detuned capacitor banks
- Filter applications
- Dynamic PFC

## Features

- Compact design in cylindrical aluminum can with stud
- Concentric winding
- MKK-technology with wavy cut and heavy edge
- Voltage range: 230 ... 1000 V
- Output range: 5.0 ... 33.0 KVAR

## Electrical features

- Very high life expectancy
- High inrush current capability (up to  $400 \cdot I_R$ )
- High overcurrent capability (up to  $2.0 \cdot I_R$ )

## Mechanical and maintenance

- Reduced mounting costs
- Maintenance-free
- Compact dimensions
- Mounting position upright

## Safety

- Self healing
- Overpressure disconnecter
- Shock hazard protected terminals
- Pre-mounted ceramic discharge resistor

# PhaseCap Super Heavy Duty PFC Capacitors

Semi-dry biodegradable resin • Concentric winding • Wavy cut • Dual safety system



Technical data : PhaseCap Super Heavy Duty PFC Capacitors	
Series type	B25673L
Power-KVAr	5...33KVAr
Rated voltage-V (AC)	415...1000 V*
Frequency	50 Hz
Transient peak current maximum permissible	$400 \cdot I_R$
Maximum permissible temperature category	-40°C to 60°C
Losses (without discharge resistors)	0.45W/KVAr
Maximum permissible voltage	$V_R + 10\%$ (up to 8 h daily)/ $V_R + 15\%$ (up to 30 min daily)** $V_R + 20\%$ (up to 5 min daily)/ $V_R + 30\%$ (up to 1 min daily)**
Maximum permissible current	Up to $1.6 \cdot I_R$ ***
Safety	Self-healing, overpressure disconnecter
Impregnation	Non-PCB, semi-dry biodegradable resin
Life expectancy	Up to 200 000 h for -40/C Up to 150 000 h for -40/60
Cooling	Natural or forced
Case shape/finish	Extruded round aluminium can with stud
Terminal	Optimized capacitor safety terminals
Mounting and grounding	Threaded stud at bottom of can (max. torque for M12=Nm)
Enclosure	IP 20, indoor mounting (optionally with terminal cap for IP54)
Discharge resistor	Provided with discharge resistor
Connection	Delta
Casing of capacitor cell	Extruded round aluminium can with stud
Dielectric	Polypropylene film (metallised)
No. of switching per annum	Max. 10 000 switching
Reference standard	IEC60831-1/2, UL 810-5th edition

\* Other voltages available on request

\*\*  $V_R$  : rated voltage

\*\*\*  $I_R$  : RMS line current that occurs at rated sinusoidal voltage and rated frequency, excluding transients.

Note : for capacitors with different features/parameters than above, please check with our nearest sales office

# PhaseCap Super Heavy Duty PFC Capacitors

Semi-dry biodegradable resin • Concentric winding • Wavy cut • Dual safety system



PhaseCap Super Heavy Duty PFC Capacitors - 3 Phase								
Rating KVA <sub>r</sub>	Voltage V (AC)	Material code	I <sub>r</sub> A	C <sub>N</sub> F	d x h mm	Packing units	MOQ	Approx. weight Kg
<b>PhaseCap Super Heavy Duty - 415 V(AC) 3PH, 50Hz (Series B25673)</b>								
5	415	B25673L4052A 10	7	3 x 30.8	85 x 125	1	1	0.7
6.2	415	B25673L4062A 10	8.6	3 x 38.2	85 x 162	1	1	1.0
7.5	415	B25673L4072A510	10.4	3 x 46.2	85 x 162	1	1	1.0
10.4	415	B25673L4102A 10	14.5	3 x 64.1	100 x 162	1	1	1.4
12.5	415	B25673L4122A510	17.4	3 x 77	100 x 200	1	1	1.7
15	415	B25673L4152A 10	20.9	3 x 92.5	100 x 200	1	1	1.7
20.8	415	B25673L4202A810	28.9	3 x 128.2	116 x 200	1	1	2.2
25	415	B25673L4252A 11	35	3 x 154	136 x 200	1	1	3.2
<b>PhaseCap Super Heavy Duty - 440 V(AC) 3PH, 50Hz (Series B25673)</b>								
5	440	B25673L4052A 40	6.6	3 x 27.4	85 x 125	1	1	0.8
7.5	440	B25673L4072A540	9.8	3 x 41.1	85 x 162	1	1	1.0
10.4	440	B25673L4102A 40	13.6	3 x 57	100 x 162	1	1	1.4
12.5	440	B25673L4122A540	16.4	3 x 68.5	100 x 162	1	1	1.4
15	440	B25673L4152A 40	19.7	3 x 82.2	100 x 200	1	1	1.7
20	440	B25673L4202A 40	26.3	3 x 109.7	116 x 200	1	1	2.2
25	440	B25673L4252A 40	32.8	3 x 137.1	116 x 200	1	1	2.2
30	440	B25673L4302A 41	39.2	3 x 164	136 x 200	1	1	3.2
33	440	B25673L4332A 41	43.3	3 x 181	136 x 200	1	1	3.2
<b>PhaseCap Super Heavy Duty - 480 V(AC) 3PH, 50Hz (Series B25673)</b>								
5.5	480	B25673L4052A580	6.6	3 x 25.3	85 x 125	1	1	0.7
6.3	480	B25673L4062A380	7.6	3 x 29	85 x 162	1	1	1.0
8.3	480	B25673L4082A380	10	3 x 38.2	85 x 162	1	1	1.0
11	480	B25673L4112A 80	13.2	3 x 50.7	100 x 162	1	1	1.7
13.8	480	B25673L4132A880	16.6	3 x 63.6	100 x 200	1	1	1.7
16.7	480	B25673L4162A780	20.1	3 x 76.9	100 x 200	1	1	1.7
22	480	B25673L4222A 80	26.5	3 x 101.4	116 x 200	1	1	2.2
28	480	B25673L4282A 81	33.4	3 x 128	136 x 200	1	1	3.2
<b>PhaseCap Super Heavy Duty - 525 V(AC) 3PH, 50Hz (Series B25673)</b>								
6.6	525	B25673L5062A620	7.3	3 x 25.4	85 x 162	1	1	1.0
10	525	B25673L5102A 20	11	3 x 38.5	100 x 162	1	1	1.7
13.2	525	B25673L5132A220	14.5	3 x 50.8	100 x 200	1	1	1.7
16.7	525	B25673L5162A720	18.4	3 x 64.3	116 x 200	1	1	2.2
20	525	B25673L5202A 20	22	3 x 77	116 x 200	1	1	2.2
26.5	525	B25673L4262A581	29.2	3 x 102.1	136 x 200	1	1	3.2



# PhaseCap Super Heavy Duty PFC Capacitors

Semi-dry biodegradable resin • Concentric winding • Wavy cut • Dual safety system



PhaseCap Super Heavy Duty PFC Capacitors - 3 Phase								
Rating KVA <sub>r</sub>	Voltage V (AC)	Material code	I <sub>R</sub> A	C <sub>N</sub> F	d x h mm	Packing units	MOQ	Approx. weight Kg
<b>PhaseCap Super Heavy Duty - 690 V(AC) 3PH, 50Hz (Series B25673)</b>								
5	690	B25673L6052A 90	4.2	3 x 11.2	116 x 164	1	1	2.1
7.5	690	B25673L6072A590	6.3	3 x 16.7	116 x 164	1	1	2.1
10	690	B25673L6102A 90	8.4	3 x 22.5	116 x 164	1	1	2.1
12.5	690	B25673L6122A590	10.5	3 x 27.9	116 x 164	1	1	2.1
15	690	B25673L6152A 90	12.6	3 x 33.5	116 x 164	1	1	2.2
20.8	690	B25673L6202A890	17.4	3 x 46.5	136 x 200	1	1	3.2
25	690	B25673L6252A 90	20.9	3 x 55.7	136 x 200	1	1	3.2
<b>PhaseCap Super Heavy Duty - 800 V(AC) 3PH, 50Hz (Series B25673)</b>								
5	800	B25673L8052A000	3.6	3 x 8.3	116 x 164	1	1	2.1
7.5	800	B25673L8072A500	5.4	3 x 12.4	116 x 164	1	1	2.1
10.0	800	B25673L8102A000	7.2	3 x 16.6	116 x 164	1	1	2.1
12.5	800	B25673L8122A500	9	3 x 20.7	116 x 164	1	1	2.1
15	800	B25673L8152A000	10.8	3 x 24.9	116 x 164	1	1	2.1
20	800	B25673L8202A000	15	3 x 33.2	136 x 200	1	1	3.2
25	800	B25673L8252A000	18	3 x 41.4	136 x 200	1	1	3.2
28	800	B25673L8252A000	20.2	3 x 46.4	136 x 200	1	1	3.2
<b>PhaseCap Super Heavy Duty - 900 V(AC) 3PH, 50Hz (Series B25673)</b>								
10.4	900	B25673L9102A400	6.7	3 x 13.6	116 x 164	1	1	2.0
12.5	900	B25673L9122A500	8	3 x 16.4	116 x 164	1	1	2.0
15	900	B25673L9152A000	9.6	3 x 19.7	116 x 200	1	1	2.4
20	900	B25673L9202A000	12.8	3 x 26.2	136 x 200	1	1	3.1
25	900	B25673L9252A000	16	3 x 32.7	136 x 200	1	1	3.1
<b>PhaseCap Super Heavy Duty - 1000 V(AC) 3PH, 50Hz (Series B25673)</b>								
10.4	1000	B25673L0102A400	6	3 x 11.0	116 x 164	1	1	2.0
12.5	1000	B25673L0122A500	7.2	3 x 13.3	116 x 164	1	1	2.0
15	1000	B25673L0152A000	8.7	3 x 15.9	116 x 200	1	1	2.4
20	1000	B25673L0202A000	11.6	3 x 21.2	136 x 200	1	1	3.1
25	1000	B25673L0252A000	14.4	3 x 26.5	136 x 200	1	1	3.1

Packing units for capacitors equal minimum order quantity. Orders will be rounded up to packing unit or multiple thereof.

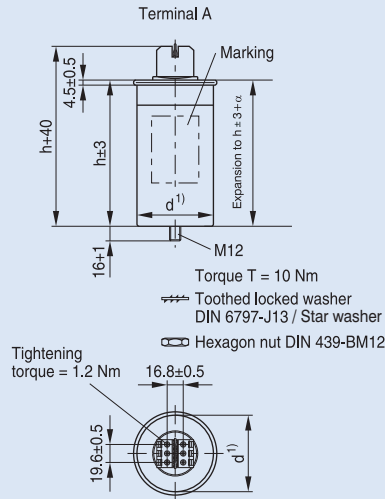
# PhaseCap Super Heavy Duty PFC Capacitors

Semi-dry biodegradable resin • Concentric winding • Wavy cut • Dual safety system



## Dimensional drawings

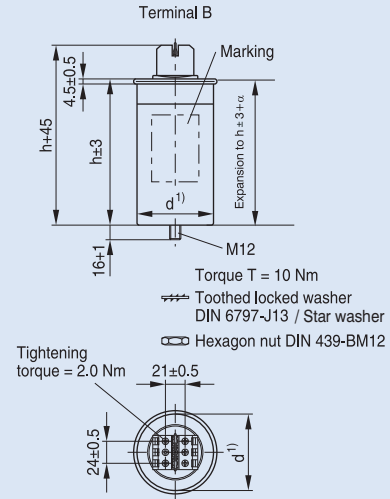
**Terminal type A, current up to 50 A**  
**Terminal cross section 16 mm<sup>2</sup> (without cable end lug)**



- 1) Seaming adds 5.5 mm in diameter
- 2) Expansion  $\alpha$  max. 15 mm

KLK1829-H-E

**Terminal type B, current up to 80 A**  
**Terminal cross section 25 mm<sup>2</sup> (without cable end lug)**



- 1) Seaming adds 5.5 mm in diameter
- 2) Expansion  $\alpha$  max. 15 mm

KLK1833-A-E

# PhiCap PFC Capacitors

Semi-dry biodegradable resin • Stacked winding • Dual safety system



## General

PhiCap capacitors are a tried and tested series of MKP (metalized polypropylene) capacitors from EPCOS which have been used for PFC applications for more than 15 years.

The power range varies from 0.5 to 30.0 kvar and 0.7 to 6.0 kvar per single capacitor can, depending on a three-phase or single-phase capacitor design.

The PhiCap capacitor is especially intended for power factor correction in industrial applications.

The capacitors are manufactured using metalized polypropylene film as the dielectric and housed in a cylindrical aluminum case.

Available in two designs

- Normal Duty (ND) for linear inductive loads.
- Heavy Duty (HD) for loads having some amount of non-linearity (with detuning reactor) .



## Applications

- Power Factor Correction (PFC), automatic capacitor banks
- Fixed PFC applications, e.g. motor compensation
- Detuned PFC systems
- Dynamic PFC systems

## Features

- Compact design in cylindrical aluminum can with stud
- Stacked winding
- MKP technology
- Voltage range 230 ... 525 V
- Output range 0.5 ... 30 KVAR

## Electrical

- Up to 30 KVAR per case for three-phase applications
- Up to 6 KVAR per case for single-phase applications
- Long life expectancy of up to 115 000 hours
- High pulse current withstand capability (up to  $200 \cdot I_R$ )

## Mechanical and maintenance

- Reduced mounting costs, easy installation and connection
- Mounting position upright
- Low weight and compact volume
- Maintenance-free

## Safety

- Self-healing
- Overpressure disconnecter

# PhiCap PFC Capacitors

Semi-dry biodegradable resin • Stacked winding • Dual safety system



Technical data : PhiCap PFC Capacitors		
	PhiCap-ND	PhiCap-HD
<b>Series type</b>	B32343L (plastic top up to 5 KVAR) B32344B (metal top- 6 KVAR and onwards)	B32447 series (1 and 2 KVAR) B32448 series (3 KVAR and onwards)
<b>Power-KVAr</b>	0.5 to 30 KVAR	1.0...30 KVAR
<b>Rated voltage-V (AC)</b>	230...525 V*	415...480 V*
<b>Frequency</b>	50 Hz	50 Hz
<b>Transient peak current maximum permissible</b>	$200 \cdot I_R$	$250 \cdot I_R$
<b>Maximum permissible temperature category</b>	-10/D	-10/D
<b>Losses (without discharge resistor)</b>	0.5 W/KVAr	0.5 W/KVAr
<b>Maximum permissible voltage</b>	$V_R + 10\%$ (up to 8 h daily)/ $V_R + 15\%$ (up to 30 min daily)** $V_R + 20\%$ (up to 5 min daily)/ $V_R + 30\%$ (up to 1 min daily)**	$V_R + 10\%$ (up to 8 h daily)/ $V_R + 15\%$ (up to 30 min daily)** $V_R + 20\%$ (up to 5 min daily)/ $V_R + 30\%$ (up to 1 min daily)**
<b>Maximum permissible current</b>	$1.3$ to $1.5 \cdot I_R^{***}$	$1.5$ to $1.8 \cdot I_R^{***}$
<b>Safety</b>	Self-healing, overpressure disconnecter	Self-healing, overpressure disconnecter
<b>Impregnation</b>	Non-PCB, semi-dry biodegradable resin	Non-PCB, semi-dry biodegradable resin
<b>Life expectancy</b>	Up to 100 000 hours	Up to 115 000 hours
<b>Cooling</b>	Natural or forced	Natural or forced
<b>Case shape/finish</b>	Extruded round aluminium can with stud	Extruded round aluminium can with stud
<b>Terminal</b>	6.3 mm fast-on terminals for plastic top -1 to 5 KVAR Screw terminal for metal top 6 KVAR and above	6.3 mm fast-on terminals for plastic top - 1 and 2 KVAR Optimized capacitor safety terminals 3 KVAR onwards
<b>Mounting and grounding</b>	Threaded stud at bottom of can (max. torque 4 Nm for M8 and 10Nm for M12)	Threaded stud at bottom of can (max. torque 4 Nm for M8 and 10Nm for M12)
<b>Enclosure</b>	IP 00, indoor mounting (optionally with terminal cap for IP54)	IP 00, indoor mounting (optionally with terminal cap for IP54)
<b>Discharge resistor</b>	Provided with discharge resistor	Provided with discharge resistor
<b>Connection</b>	Delta	Delta
<b>Casing of capacitor cell</b>	Extruded round aluminium can with stud	Extruded round aluminium can with stud
<b>Dielectric</b>	Polypropylene film (metallised)	Polypropylene film (metallised)
<b>No. of switching per annum</b>	Max. 5000 switching	Max. 6000 switching
<b>Reference standard</b>	IS : 13340/41 (ISI mark applicable for 415 and 440V)	IS : 13340/41 (ISI mark applicable for 415 and 440V)

\* Other voltages available on request

\*\*  $V_R$  rated voltage

\*\*\*  $I_R$  : RMS line current that occurs at rated sinusoidal voltage and rated frequency, excluding transients.

Note : for capacitors with different features/parameters than above, please check with our nearest sales office

# PhiCap PFC Capacitors

Semi-dry biodegradable resin • Stacked winding • Dual safety system



PhiCap Normal Duty (ND) Capacitors - 3 Phase								
Rating KVAR	Voltage V (AC)	Material code	I <sub>r</sub> A	C <sub>N</sub> F	d x h mm	Packing units	MOQ	Approx. weight Kg
<b>PhiCap Normal Duty - 415 V(AC) 3PH, 50Hz (Series B32343 and B32344)</b>								
0.5	415	B32343L4002A510	0.7	3 x 3	53 x 117	12	12	0.3
1	415	B32343L4012A 10	1.4	3 x 6.5	53 x 117	12	12	0.3
1.5	415	B32343L4012A510	2.0	3 x 9.5	53 x 117	12	12	0.3
2	415	B32343L4022A 10	2.7	3 x 12.5	53 x 117	12	12	0.4
2.5	415	B32343L4022A510	3.4	3 x 15.5	63.5 x 129	12	12	0.4
3	415	B32343L4032A 10	4.1	3 x 18.5	63.5 x 129	12	12	0.4
4	415	B32343L4042A 10	5.5	3 x 25	63.5 x 152	12	12	0.4
5	415	B32343L4052A 10	6.9	3 x 31	63.5 x 152	12	12	0.5
6.3	415	B32344B4071A510	8.8	3 x 39	75 x 195	1	6	0.6
7.5	415	B32344B4072A510	10.4	3 x 46.5	75 x 195	1	6	0.7
8.3	415	B32344B4082A310	11.5	3 x 51.5	75 x 195	1	6	0.7
9	415	B32344B4092A 10	12.5	3 x 55.5	75 x 195	1	6	0.7
10	415	B32344B4102A 10	13.9	3 x 62	85 x 195	1	4	0.7
12.5	415	B32344B4122A510	17.3	3 x 77	85 x 270	1	4	1.0
15	415	B32344B4152A 10	20.8	3 x 92.5	85 x 270	1	4	1.8
20	415	B32344B4202A 10	27.8	3 x 123.5	85 x 345	1	4	1.8
25	415	B32344B4252A 10	34.7	3 x 154	85 x 345	1	4	2.0
<b>PhiCap Normal Duty - 440 V(AC) 3PH, 50Hz (Series B32343 &amp; B32344)</b>								
1	440	B32343L4012A 40	1.3	3 x 5.5	53 x 117	12	12	0.3
1.5	440	B32343L4012A540	1.9	3 x 8.5	53 x 117	12	12	0.3
2	440	B32343L4021A540	2.8	3 x 11.5	53 x 117	12	12	0.4
2.5	440	B32343L4022A540	3.2	3 x 14	63.5 x 129	12	12	0.4
3	440	B32343L4032A 40	3.9	3 x 16.5	63.5 x 129	12	12	0.5
4.2	440	B32343L4051A 40	5.5	3 x 23	63.5 x 129	12	12	0.5
5	440	B32343L4052A 40	6.5	3 x 27.5	63.5 x 152	12	12	0.6
5.6	440	B32343L4052A640	7.3	3 x 31	63.5 x 188	12	12	0.6
6	440	B32344B4071A540	7.8	3 x 33	75 x 195	1	6	0.6
7	440	B32344B4072A 40	9.2	3 x 38.5	75 x 195	1	6	0.6
7.5	440	B32344B4072A540	9.8	3 x 41	75 x 195	1	6	0.6
8.3	440	B32344B4101A 40	10.8	3 x 45.5	75 x 195	1	6	0.6
9	440	B32344B4092A 40	11.8	3 x 49.5	75 x 195	1	6	0.6
10	440	B32344B4102A 40	13.1	3 x 55	85 x 195	1	4	0.6
11.2	440	B32344B4112A240	14.6	3 x 61.4	85 x 195	1	4	0.8
12.5	440	B32344B4151A 40	16.4	3 x 68.5	85 x 270	1	4	0.8
14	440	B32344B4142A 40	18.3	3 x 76.4	85 x 270	1	4	1.0
15	440	B32344B4152A 40	19.6	3 x 82.5	85 x 270	1	4	1.2
16.7	440	B32344B4201A 40	21.9	3 x 91.5	85 x 345	1	4	1.2
19	440	B32344B4192A 40	24.9	3 x 104.5	85 x 345	1	4	1.2
20	440	B32344B4202A 40	26.2	3 x 110	85 x 345	1	4	1.2
20.8	440	B32344B4251A 40	27.3	3 x 114	85 x 345	1	4	1.2
25	440	B32344B4252A 40	32.8	3 x 137.5	90 x 345	1	4	1.5
28	440	B32344B4282A 40	36.7	3 x 153.5	90 x 345	1	4	1.6
30	440	B32344B4302A 40	39.4	3 x 164.5	90 x 345	1	4	1.8

# PhiCap PFC Capacitors

Semi-dry biodegradable resin • Stacked winding • Dual safety system



PhiCap Normal Duty (ND) Capacitors - 3 Phase								
Rating KVA <sub>r</sub>	Voltage V (AC)	Material code	I <sub>r</sub> A	C <sub>n</sub> F	d x h mm	Packing units	MOQ	Approx. weight Kg
<b>PhiCap Normal Duty - 480 V(AC) 3PH, 50Hz (Series B32344)</b>								
5	480	B32344B4052A 80	6.0	3 x 23	75 x 195	1	6	0.6
8.3	480	B32344B4082A380	10	3 x 28.2	75 x 270	1	6	0.6
10.4	480	B32344B4121A580	12.5	3 x 48	85 x 270	1	4	0.8
11.1	480	B32344B4112A180	13.4	3 x 51.1	75 x 270	1	6	0.9
12.5	480	B32344B4151A 80	15.0	3 x 58	85 x 345	1	4	0.9
13.8	480	B32344B4132A880	16.6	3 x 63.6	85 x 270	1	4	1.0
15	480	B32344B4152A 80	18.0	3 x 69	85 x 345	1	4	1.5
16.6	480	B32344B4162A680	20	3 x 76.5	85 x 345	1	4	1.5
20.8	480	B32344B4251A 80	25.0	3 x 96	85 x 345	1	4	1.5
22.1	480	B32344B4222A180	26.6	3 x 101.8	90 x 345	1	4	1.8
25	480	B32344B4252A 80	30.0	3 x 115	90 x 345	1	4	1.8
27.7	480	B32344B4272A780	33.3	3 x 127.6	90 x 345	1	4	1.8
30	480	B32344B4302A 80	36.0	3 x 138	90 x 345	1	4	1.9
<b>PhiCap Normal Duty - 525 V(AC) 3PH, 50Hz (Series B32344)</b>								
5	525	B32344B5052A 20	5.5	3 x 19	75 x 195	1	6	0.4
6.3	525	B32344B5071A520	6.9	3 x 24	75 x 195	1	6	0.5
8.3	525	B32344B5082A320	9.1	3 x 32	85 x 270	1	4	0.6
9.9	525	B32344B5092A920	10.9	3 x 38.1	75 x 270	1	6	0.6
10.4	525	B32344B5102A420	11.4	3 x 40	85 x 270	1	4	0.8
12.5	525	B32344B5151A 20	13.7	3 x 48	85 x 270	1	4	1.2
13.2	525	B32344B5132A220	14.5	3 x 50.8	85 x 270	1	4	1.3
16.7	525	B32344B5162A720	18.3	3 x 64	85 x 345	1	4	1.3
20.8	525	B32344B5202A820	22.8	3 x 80	90 x 345	1	4	1.5
26.5	525	B32344B5262A520	29.5	3 x 102.1	116 x 325	1	2	1.8
33.1	525	B32344B5332A120	36.4	3 x 127.5	116 x 325	1	2	2.0

Other voltages available on request.

Packing units for capacitors equal minimum order quantity. Orders will be rounded up to packing unit or multiple thereof.

# PhiCap PFC Capacitors

Semi-dry biodegradable resin • Stacked winding • Dual safety system



PhiCap Heavy Duty (HD) Capacitors - 3 Phase								
Rating KVAR	Voltage V (AC)	Material code	I <sub>R</sub> A	C <sub>N</sub> F	d x h mm	Packing units	MOQ	Approx. weight Kg
<b>PhiCap Heavy Duty - 415 V(AC) 3PH, 50Hz (Series B32447 &amp; B32448)</b>								
1	415	B32447A4012B 10	1.39	3 x 6.5	53 x 129	12	12	0.4
2	415	B32448A4022B 10	2.78	3 x 12.5	78.4 x 195	1	6	0.8
3	415	B32448A4032B 10	4.17	3 x 19	78.4 x 195	1	6	1.0
4	415	B32448A4042B 10	5.56	3 x 25	78.4 x 195	1	6	1.1
5	415	B32448A4052B 10	6.96	3 x 31	88.4 x 195	1	4	1.3
8	415	B32448A4082B 10	11.13	3 x 49.5	88.4 x 270	1	4	1.8
9	415	B32448A4092B 10	12.52	3 x 55.5	88.4 x 270	1	4	1.9
10	415	B32448A4102B 10	13.91	3 x 62	88.4 x 345	1	4	2.1
12.5	415	B32448A4122B510	17.39	3 x 77	88.4 x 345	1	4	2.3
<b>PhiCap Heavy Duty - 440 V(AC) 3PH, 50Hz (Series B32447 &amp; B32448)</b>								
1	440	B32447A4012B 40	1.3	3 x 5.5	53 x 117	12	12	0.5
2	440	B32447A4022B 40	2.62	3 x 12.5	63.5 x 129	12	12	0.8
3	440	B32448A4032B 40	3.94	3 x 16.5	75 x 195	1	6	1.1
4	440	B32448A4042B 40	5.25	3 x 22	75 x 195	1	6	1.1
5	440	B32448A4052B 40	6.56	3 x 27.5	75 x 195	1	6	1.2
6	440	B32448A4062B 40	7.8	3 x 33	85 x 195	1	4	1.3
7.5	440	B32448A4072B540	9.84	3 x 41.5	85 x 270	1	4	1.7
8	440	B32448A4082B 40	10.5	3 x 44	85 x 270	1	4	1.8
9	440	B32448A4092B 40	11.8	3 x 49.5	85 x 270	1	4	1.8
10	440	B32448A4102B 40	13.12	3 x 55	85 x 270	1	4	1.9
12.5	440	B32448A4122B540	16.4	3 x 68.5	95 x 270	1	4	2.0
15	440	B32448A4152B 40	19.68	3 x 82.5	100 x 280	1	4	2.5
20	440	B32448A4202B840	26.24	3 x 109.6	116 x 280	1	2	2.9
25	440	B32448A4252B 40	32.8	3 x 137	116 x 325	1	2	3.8
30	440	B32448A4302B 40	39.4	3 x 164.5	136 x 325	1	2	5.0
<b>PhiCap Heavy Duty - 480 V(AC) 3PH, 50Hz (Series B32448)</b>								
5	480	B32448A4052B 80	6.01	3 x 23	75 x 195	1	6	1.2
5.5	480	B32448A4052A580	6.6	3 x 25.3	75 x 195	1	6	1.2
8.3	480	B32448A4082A380	10	3 x 38.2	85 x 270	1	4	1.5
10	480	B32448A4102B 80	12.03	3 x 46	85 x 270	1	4	1.8
11.1	480	B32448A4112A180	13.4	3 x 51.1	85 x 270	1	4	1.9
12.5	480	B32448A4122B580	15.04	3 x 58	85 x 270	1	4	2.0
13.8	480	B32448A4132A880	16.6	3 x 63.6	90 x 270	1	4	2.0
14.5	480	B32448A4142B580	17.44	3 x 67	90 x 270	1	4	2.0
16.6	480	B32448A4162A680	20	3 x 76.5	85 x 345	1	4	2.3
20	480	B32448A4202B880	24.06	3 x 95.8	116 x 280	1	2	2.8
22.1	480	B32448A4222A180	26.6	3 x 101.8	116 x 280	1	2	2.8
25	480	B32448A4252B 80	30.07	3 x 115.1	116 x 325	1	2	3.1
27.7	480	B32448A4272A780	33.3	3 x 127.6	116 x 325	1	2	3.7
30	480	B32448A4302B 80	36.09	3 x 138.1	116 x 325	1	2	4.6

Other voltages available on request.

\* Packing units for capacitors equal minimum order quantity. Orders will be rounded up to packing unit or multiple thereof.

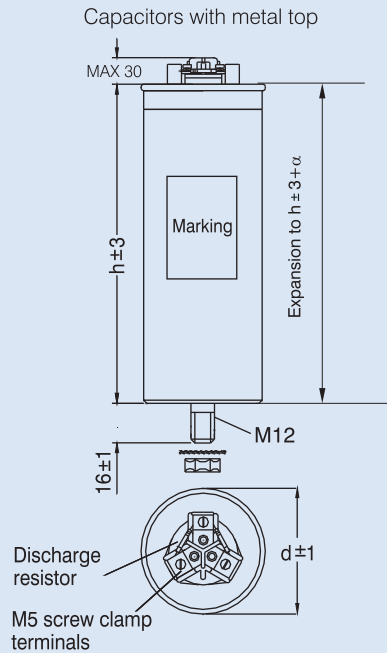
# PhiCap PFC Capacitors

Semi-dry biodegradable resin • Stacked winding • Dual safety system



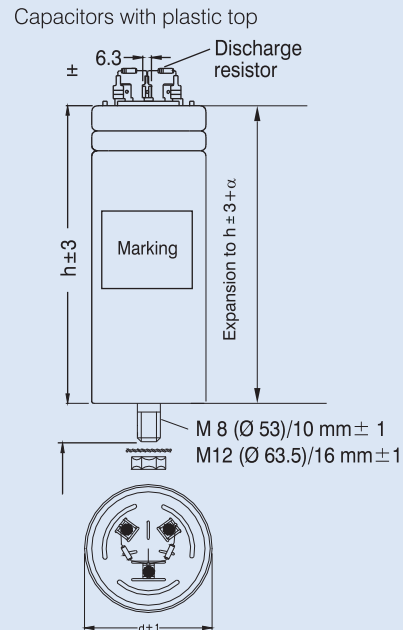
## Dimensional drawings:

### Capacitor B32344 series

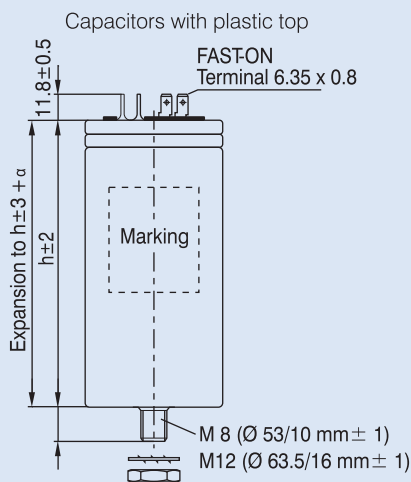


- 1) Seaming adds 5.5 mm in diameter
- 2) Expansion  $\alpha$  max. 15 mm

### Capacitor B32343 series

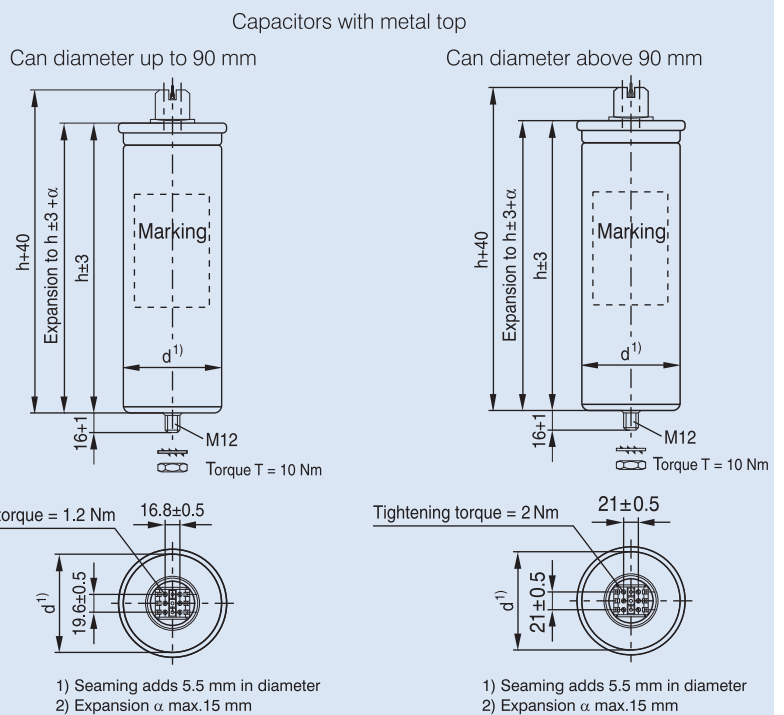


### Capacitor B32447 series



- 1) Seaming adds 5.5 mm in diameter
- 2) Expansion  $\alpha$  max. 15 mm

### Capacitor B32448 series





# SquareCap PFC Capacitors

Semi-dry biodegradable resin • Modular construction • Triple safety system



## General

The SquareCap box type capacitor is self standing in nature and is having modular construction (above 6KVAR) in a sheet metal enclosure.

It is a very popular capacitor design in India for many decades.

The SquareCap series is especially intended for use in industrial applications and locations such as commercial complexes, malls etc. The internal construction comprises of single phase basic capacitors cells connected to form delta construction externally within the enclosure. The terminal arrangement is of stud type.

SquareCap series is available in three designs:

**ENDC:** EPCOS Normal Duty Capacitor for normal inductive loads.

**EHDLL:** EPCOS Heavy Duty Long life Capacitor for loads exhibiting some amount of non-linearity. (Preferably with detuning reactor).

**ESHDC:** EPCOS Super Heavy Duty Capacitor for non linear arduous and fluctuating loads and systems containing higher degree of harmonics. (Preferably with detuning reactor).



## Applications

- Stand alone capacitors (Fixed Compensation)
- Capacitor banks
- Detuned capacitor banks
- Dynamic PFC

## Features

- Box Type self standing Design
- Voltage Range: 415V .... 525V
- Range: 1kVAR to 60kVAR
- Resin Impregnated
- Available in three designs Viz. ENDC, EHDLL and ESHDC

## Mechanical and maintenance

- Reduced mounting costs
- Maintenance-free

## Electrical

- High pulse current withstand capability
- Very high life expectancy

## Safety

- Self-healing
- Overpressure disconnectors
- Sheet metal enclosure

# SquareCap PFC Capacitors

Semi-dry biodegradable resin • Modular construction • Triple safety system



Technical data : SquareCap PFC Capacitors			
	SquareCap-ENDC	SquareCap-EHDLL	SquareCap-ESHDC
Series type	B32457L	B32459L	B32455L
Power-KVAr	1...50 KVAr	1...50 KVAr	1...50 KVAr
Rated voltage-V (AC)	415...440 V*	415...525 V*	415...525 V*
Frequency	50 Hz	50 Hz	50 Hz
Transient peak current maximum permissible	upto 200 • I <sub>R</sub>	upto 250 • I <sub>R</sub>	upto 350 • I <sub>R</sub>
Maximum permissible temperature category	-10/D	-10/D	-10/D
Losses (without discharge resistors)	0.5 W/KVAr	0.5 W/KVAr	0.5 W/KVAr
Maximum permissible voltage	V <sub>R</sub> +10%(up to 8 h daily)/ V <sub>R</sub> +15% (up to 30 min daily)** V <sub>R</sub> +20%(up to 5 min daily)/ V <sub>R</sub> +30% (up to 1 min daily)**	V <sub>R</sub> +10%(up to 8 h daily)/ V <sub>R</sub> +15% (up to 30 min daily)** V <sub>R</sub> +20%(up to 5 min daily)/ V <sub>R</sub> +30% (up to 1 min daily)**	V <sub>R</sub> +10%(up to 8 h daily)/ V <sub>R</sub> +15% (up to 30 min daily)** V <sub>R</sub> +20%(up to 5 min daily)/ V <sub>R</sub> +30% (up to 1 min daily)**
Maximum permissible current	1.3 • I <sub>R</sub> ***	1.5 • I <sub>R</sub> ***	1.6 • I <sub>R</sub> ***
Safety	Self-healing, overpressure disconnecter	Self-healing, overpressure disconnecter	Self-healing, overpressure disconnecter
Impregnation	Non PCB, semi-dry biodegradable resin	Non PCB, semi-dry biodegradable resin	Non PCB, semi-dry biodegradable resin
Life expectancy	Up to 100 000 hours	Up to 125 000 hours	Up to 150 000 hours
Cooling	Natural or forced	Natural or forced	Natural or forced
Case shape/finish	Rectangular/powder coated Siemens grey colour	Rectangular/powder coated Siemens grey colour	Rectangular/powder coated Siemens grey colour
Terminal	Threaded stud terminals with ceramic bushing	Threaded stud terminals with ceramic bushing	Threaded stud terminals with ceramic bushing
Mounting and grounding	Self standing with mounting plates and screws for grounding	Self standing with mounting plates and screws for grounding	Self standing with mounting plates and screws for grounding
Enclosure	IP 20	IP 20	IP 20
Discharge resistor	PCB mounted -included	PCB mounted -Included	PCB mounted -included
Connection	Delta	Delta	Delta
Casing of capacitor cell	Extruded aluminium can (hermetically sealed)	Extruded aluminium can (hermetically sealed)	Extruded aluminium can (hermetically sealed)
Dielectric	Polypropylene film (metallised)	Polypropylene film (metallised)	Polypropylene film (metallised)
No. of switching per annum	Max. 5000 switching	Max. 6000 switching	Max. 7500 switching
Reference standard	IS: 13340/41 (ISI mark applicable for 415 and 440V)	IS: 13340/41 (ISI mark applicable for 415 and 440V)	IS: 13340/41 (ISI mark applicable for 415 and 440V)

\* other voltages available on request

\*\* V<sub>R</sub> rated voltage

\*\*\* I<sub>R</sub> : RMS line current that occurs at rated sinusoidal voltage and rated frequency, excluding transients.

Note : for capacitors with different features/parameters than above, please check with our nearest sales office

# SquareCap PFC Capacitors

Semi-dry biodegradable resin • Modular construction • Triple safety system



SquareCap ENDC Capacitors - 3 Phase								
Rating KVAR	Voltage V (AC)	Material code	I <sub>r</sub> A	C <sub>N</sub> F (Basic cells x F)	H x W x D mm	Packing units	MOQ	Approx. weight Kg
<b>SquareCap ENDC - 415 V(AC) 3PH, 50Hz (Series B32457)</b>								
1	415	B32457P4001A 11	1.3	3 x 6.3	95 x 125 x 45	1	25	0.8
2	415	B32457P4002A 11	2.7	3 x 12.5	120 x 125 x 45	1	25	0.8
3	415	B32457P4003A 11	4.1	3 x 19	120 x 145 x 55	1	25	1.4
4	415	B32457P4004A 11	5.5	3 x 25	140 x 145 x 55	1	25	1.5
5	415	B32457L4005A 11	6.9	3 x 31	215 x 185 x 60	1	1	1.6
6	415	B32457L4006A 11	8.3	3 x 37.5	300 x 240 x 80	1	1	2.4
7	415	B32457L4007A 11	9.7	3 x 44	300 x 240 x 80	1	1	2.6
7.5	415	B32457L4007A511	10.4	3 x 46.5	300 x 240 x 80	1	1	2.7
8	415	B32457L4008A 11	11.1	3 x 49.5	300 x 240 x 80	1	1	2.8
9	415	B32457L4009A 11	12.5	3 x 56	300 x 240 x 80	1	1	3.0
10	415	B32457L4010A 11	13.9	3 x 62	300 x 240 x 80	1	1	3.1
12.5	415	B32457L4012A511	17.3	3 x 77	300 x 240 x 80	1	1	3.6
15	415	B32457L4015A 11	20.8	3 x 92.5	300 x 240 x 80	1	1	3.8
20	415	B32457L4020A 11	27.8	6 x 62	300 x 240 x 160	1	1	6.5
25	415	B32457L4025A 11	34.7	6 x 77	300 x 240 x 160	1	1	7.2
30	415	B32457L4030A 11	41.7	6 x 92.5	300 x 240 x 160	1	1	7.9
50	415	B32457L4050A 11	69.5	12 x 77	350 x 240 x 320	1	1	12.5
<b>SquareCap ENDC - 440 V(AC) 3PH, 50Hz (Series B32457)</b>								
1	440	B32457P5001A 11	1.3	3 x 5.5	95 x 125 x 45	1	25	0.8
2	440	B32457P5002A 11	2.6	3 x 11	120 x 125 x 45	1	25	0.8
3	440	B32457P5003A 11	3.9	3 x 16.5	120 x 145 x 55	1	25	1.4
4	440	B32457P5004A 11	5.2	3 x 22	140 x 145 x 55	1	25	1.5
5	440	B32457L5005A 11	6.6	3 x 27.5	215 x 185 x 60	1	1	1.6
6	440	B32457L5006A 11	7.9	3 x 33	300 x 240 x 80	1	1	2.2
7	440	B32457L5007A 11	9.2	3 x 38.5	300 x 240 x 80	1	1	2.4
7.5	440	B32457L5007A511	9.84	3 x 41.5	300 x 240 x 80	1	1	2.5
8	440	B32457L5008A 11	10.5	3 x 44	300 x 240 x 80	1	1	2.6
9	440	B32457L5009A 11	11.8	3 x 49.5	300 x 240 x 80	1	1	2.8
10	440	B32457L5010A 11	13.1	3 x 55	300 x 240 x 80	1	1	3.0
12	440	B32457L5012A 11	15.7	3 x 66	300 x 240 x 80	1	1	3.2
12.5	440	B32457L5012A511	16.4	3 x 69	300 x 240 x 80	1	1	3.3
15	440	B32457L5015A 11	19.6	3 x 82.5	300 x 240 x 80	1	1	3.8
20	440	B32457L5020A 11	26.2	6 x 55	300 x 240 x 160	1	1	6.1
25	440	B32457L5025A 11	32.8	6 x 69	300 x 240 x 160	1	1	7.0
35	440	B32457L5035A 11	45.9	12 x 48	350 x 240 x 320	1	1	8.0
40	440	B32457L5040A 11	52.5	12 x 54.8	350 x 240 x 320	1	1	8.8
50	440	B32457L5050A 11	65.6	12 x 69	350 x 240 x 320	1	1	12.4

# SquareCap PFC Capacitors

Semi-dry biodegradable resin • Modular construction • Triple safety system



SquareCap EHDLL Capacitors - 3 Phase								
Rating KVAR	Voltage V (AC)	Material code	I <sub>R</sub> A	C <sub>N</sub> F (Basic cells x F)	H x W x D mm	Packing units	MOQ	Approx. weight Kg
<b>SquareCap EHDLL - 415 V(AC) 3PH, 50Hz (Series B32459)</b>								
1	415	B32459L4001A 11	1.3	3 x 6.3	170 x 125 x 45	1	20	1.0
2	415	B32459L4002A 11	2.7	3 x 12.5	170 x 125 x 45	1	20	1.1
3	415	B32459L4003A 11	4.1	3 x 19	215 x 185 x 60	1	20	1.5
4	415	B32459L4004A 11	5.5	3 x 25	215 x 185 x 60	1	20	1.6
5	415	B32459L4005A 11	7.0	3 x 31	215 x 185 x 60	1	1	1.8
7	415	B32459L4007A 11	10.4	3 x 46.5	300 x 240 x 80	1	1	3.2
7.5	415	B32459L4007A511	10.4	3 x 49.5	300 x 240 x 80	1	1	3.3
10	415	B32459L4010A 11	13.9	3 x 62	300 x 240 x 80	1	1	3.4
12.5	415	B32459L4012A511	17.3	3 x 77	300 x 240 x 80	1	1	3.5
15	415	B32459L4015A 11	20.8	3 x 92	300 x 240 x 80	1	1	4.0
20	415	B32459L4020A 11	27.8	6 x 62	300 x 240 x 160	1	1	6.1
25	415	B32459L4025A 11	34.7	6 x 77	300 x 240 x 160	1	1	6.5
30	415	B32459L4030A 11	41.7	6 x 92.4	300 x 240 x 160	1	1	7.5
40	415	B32459L4040A 11	55.6	12 x 61.6	350 x 240 x 320	1	1	11.0
50	415	B32459L4050A 11	69.5	12 x 77	350 x 240 x 320	1	1	11.8
<b>SquareCap EHDLL - 440 V(AC) 3PH, 50Hz (Series B32459)</b>								
1	440	B32459L5001A 11	1.3	3 x 5.5	170 x 125 x 45	1	20	0.9
2	440	B32459L5002A 11	2.6	3 x 11	170 x 125 x 45	1	20	0.9
3	440	B32459L5003A 11	3.9	3 x 16.5	215 x 185 x 60	1	20	1.5
4	440	B32459L5004A 11	5.2	3 x 22	215 x 185 x 60	1	20	1.5
5	440	B32459L5005A 11	6.5	3 x 27.5	215 x 185 x 60	1	1	1.6
6	440	B32459L5006A 11	7.9	3 x 33	300 x 240 x 80	1	1	2.7
7	440	B32459L5007A 11	9.2	3 x 38.5	300 x 240 x 80	1	1	3.0
7.5	440	B32459L5007A511	9.8	3 x 41.5	300 x 240 x 80	1	1	3.0
8	440	B32459L5008A 11	10.5	3 x 44	300 x 240 x 80	1	1	3.2
9	440	B32459L5009A 11	11.8	3 x 50	300 x 240 x 80	1	1	3.3
10	440	B32459L5010A 11	13.1	3 x 55	300 x 240 x 80	1	1	3.3
12	440	B32459L5012A 11	15.8	3 x 67.5	300 x 240 x 80	1	1	3.4
12.5	440	B32459L5012A511	16.4	3 x 69	300 x 240 x 80	1	1	3.4
15	440	B32459L5015A 11	19.6	3 x 82.5	300 x 240 x 80	1	1	3.5
20	440	B32459L5020A 11	26.2	6 x 55	300 x 240 x 160	1	1	6.1
25	440	B32459L5025A 11	32.8	6 x 69	300 x 240 x 160	1	1	6.3
30	440	B32459L5030A 11	39.4	6 x 82.2	300 x 240 x 160	1	1	6.5
40	440	B32459L5040A 11	52.5	12 x 54.8	350 x 240 x 320	1	1	11.0
50	440	B32459L5050A 11	65.6	12 x 69	350 x 240 x 320	1	1	12.1
60	440	B32459L5060A 11	78.7	12 x 82.2	350 x 240 x 320	1	1	12.1

# SquareCap PFC Capacitors

Semi-dry biodegradable resin • Modular construction • Triple safety system



SquareCap EHDLL Capacitors - 3 Phase								
Rating KVAR	Voltage V (AC)	Material code	I <sub>r</sub> A	C <sub>N</sub> F (Basic cells x F)	H x W x D mm	Packing units	MOQ	Approx. weight
<b>SquareCap EHDLL - 480 V(AC) 3PH, 50Hz (Series B32459)</b>								
5	480	B32459L8005A 61	6.0	3 x 23	215 x 185 x 60	1	1	1.8
5.5	480	B32459L8005A561	6.6	3 x 25.3	215 x 185 x 60	1	1	2.3
6	480	B32459L8006A 61	7.2	3 x 28	300 x 240 x 80	1	1	2.6
7.5	480	B32459L8007A561	9.0	3 x 34.5	300 x 240 x 80	1	1	2.8
8.3	480	B32459L8008A361	10	3 x 38.2	300 x 240 x 80	1	1	2.9
9	480	B32459L8009A 61	10.8	3 x 41.5	300 x 240 x 80	1	1	3.0
10	480	B32459L8010A 61	12.0	3 x 46.5	300 x 240 x 80	1	1	3.1
11.1	480	B32459L8011A161	13.4	3 x 51.1	300 x 240 x 80	1	1	3.2
12	480	B32459L8012A 61	14.4	3 x 55.5	300 x 240 x 80	1	1	3.3
12.5	480	B32459L8012A561	14.4	3 x 58	300 x 240 x 80	1	1	3.3
13.8	480	B32459L8013A861	16.6	3 x 63.6	300 x 240 x 80	1	1	3.4
14.5	480	B32459L8014A561	17.4	3 x 67.5	300 x 240 x 80	1	1	3.4
15	480	B32459L8015A 61	18.0	3 x 69	300 x 240 x 80	1	1	3.5
16.6	480	B32459L8016A661	20	3 x 76.4	300 x 240 x 160	1	1	3.5
18	480	B32459L8018A 61	21.6	6 x 41.5	300 x 240 x 160	1	1	5.8
20	480	B32459L8020A 61	24.0	6 x 46.5	300 x 240 x 160	1	1	6.0
22.1	480	B32459L8022A161	26.6	6 x 51.1	300 x 240 x 160	1	1	6.2
25	480	B32459L8025A 61	30.0	6 x 58	300 x 240 x 160	1	1	6.3
27.7	480	B32459L8027A761	33.3	6 x 63.6	300 x 240 x 160	1	1	6.5
29	480	B32459L8029A 61	34.8	6 x 67.5	300 x 240 x 160	1	1	6.7
50	480	B32459L8050A 61	60.1	12 x 58	350 x 240 x 320	1	1	11.2
55	480	B32459L8055A 61	66.1	12 x 63.5	350 x 240 x 320	1	1	11.4
<b>SquareCap EHDLL - 525 V(AC) 3PH, 50Hz (Series B32459)</b>								
6.6	525	B32459L6006A611	7.3	3 x 25.4	300 x 240 x 80	1	1	1.8
10	525	B32459L6010A 11	11	3 x 38.5	300 x 240 x 80	1	1	3.0
12.5	525	B32459L6012A511	13.7	3 x 48	300 x 240 x 80	1	1	3.2
13.2	525	B32459L6013A211	14.5	3 x 50.8	300 x 240 x 80	1	1	3.3
15	525	B32459L6015A 11	16.5	3 x 58	300 x 240 x 80	1	1	3.4
16.6	525	B32459L6016A611	18.3	3 x 63.9	300 x 240 x 160	1	1	3.5
19.9	525	B32459L6019A911	22	3 x 76.6	300 x 240 x 160	1	1	3.6
20	525	B32459L6020A 11	21.9	6 x 38.5	300 x 240 x 160	1	1	5.8
25	525	B32459L6025A 11	27.4	6 x 48	300 x 240 x 160	1	1	6.5
26.5	525	B32459L6026A511	29.1	6 x 50.8	300 x 240 x 160	1	1	6.5
30	525	B32459L6030A 11	32.9	6 x 58	300 x 240 x 160	1	1	6.8
33.1	525	B32459L6033A111	36.4	6 x 63.9	300 x 240 x 160	1	1	7.0
50	525	B32459L6050A 11	55	12 x 48	350 x 240 x 320	1	1	11.0

# SquareCap PFC Capacitors

Semi-dry biodegradable resin • Modular construction • Triple safety system



SquareCap ESHDC Capacitors - 3 Phase								
Rating KVAR	Voltage V (AC)	Material code	I <sub>r</sub> A	C <sub>n</sub> F (Basic cells x F)	H x W x D mm	Packing units	MOQ	Approx. weight Kg
<b>SquareCap ESHDC - 415 V(AC) 3PH, 50Hz(Series B32455)</b>								
1	415	B32455L4001A 11	1.3	3 x 6.5	270 x 170 x 55	1	10	2.1
2	415	B32455L4002A 11	2.7	3 x 12.5	270 x 170 x 55	1	10	2.1
3	415	B32455L4003A 11	4.1	3 x 19	300 x 240 x 80	1	10	2.8
4	415	B32455L4004A 11	5.5	3 x 25	300 x 240 x 80	1	10	2.9
5	415	B32455L4005A 11	6.9	3 x 31	300 x 240 x 80	1	1	3.2
7.5	415	B32455L4007A511	10.4	3 x 46.5	405 x 225 x 80	1	1	4.6
8	415	B32455L4008A 11	11.1	3 x 49.5	405 x 225 x 80	1	1	4.7
10	415	B32455L4010A 11	13.9	3 x 62	405 x 225 x 80	1	1	5.0
12.5	415	B32455L4012A511	17.3	3 x 77	405 x 225 x 80	1	1	5.8
15	415	B32455L4015A 11	20.8	6 x 46.5	400 x 225 x 155	1	1	8.2
20	415	B32455L4020A 11	27.8	6 x 62	400 x 225 x 155	1	1	8.5
25	415	B32455L4025A 11	34.7	6 x 77	400 x 225 x 155	1	1	8.8
30	415	B32455L4030A 11	41.7	12 x 46.2	450 x 325 x 225	1	1	14.0
40	415	B32455L4040A 11	55.6	12 x 61.6	450 x 325 x 225	1	1	15.5
50	415	B32455L4050A 11	69.5	12 x 77	450 x 325 x 225	1	1	17.0
<b>SquareCap ESHDC - 440 V(AC) 3PH, 50Hz (Series B32455)</b>								
1	440	B32455L5001A 11	1.3	3 x 5.5	270 x 170 x 55	1	10	2.0
2	440	B32455L5002A 11	2.6	3 x 11	270 x 170 x 55	1	10	2.0
3	440	B32455L5003A 11	3.9	3 x 16.5	300 x 240 x 80	1	10	2.7
4	440	B32455L5004A 11	5.2	3 x 22	300 x 240 x 80	1	10	2.9
5	440	B32455L5005A 11	6.5	3 x 27.5	300 x 240 x 80	1	1	3.1
6	440	B32455L5006A 11	7.9	3 x 33	405 x 225 x 80	1	1	4.2
7	440	B32455L5007A 11	9.2	3 x 38.5	405 x 225 x 80	1	1	4.4
7.5	440	B32455L5007A511	9.8	3 x 41.5	405 x 225 x 80	1	1	4.5
8	440	B32455L5008A 11	10.5	3 x 44	405 x 225 x 80	1	1	4.6
9	440	B32455L5009A 11	11.8	3 x 49.5	405 x 225 x 80	1	1	4.7
10	440	B32455L5010A 11	13.1	3 x 55	405 x 225 x 80	1	1	4.8
12	440	B32455L5012A 11	15.7	3 x 67	405 x 225 x 80	1	1	5.2
12.5	440	B32455L5012A511	16.4	3 x 69	405 x 225 x 80	1	1	5.5
15	440	B32455L5015A 11	19.6	6 x 41.5	400 x 225 x 155	1	1	8.1
20	440	B32455L5020A 11	26.24	6 x 55	400 x 225 x 155	1	1	8.4
25	440	B32455L5025A 11	32.8	6 x 69	400 x 225 x 155	1	1	9.5
30	440	B32455L5030A 11	39.4	12 x 41.1	450 x 325 x 225	1	1	14.5
35	440	B32455L5035A 11	45.9	12 x 48	450 x 325 x 225	1	1	15.0
40	440	B32455L5040A 11	52.5	12 x 54.8	450 x 325 x 225	1	1	15.5
50	440	B32455L5050A 11	65.6	12 x 69	450 x 325 x 225	1	1	17.5

# SquareCap PFC Capacitors

Semi-dry biodegradable resin • Modular construction • Triple safety system



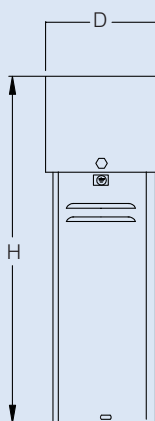
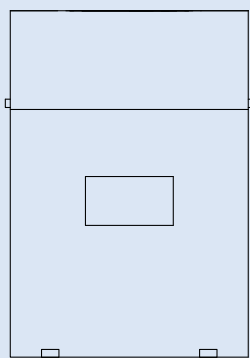
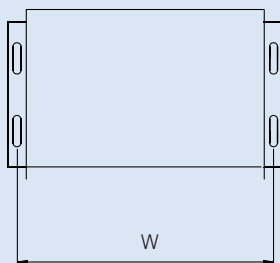
SquareCap ESHDC Capacitors - 3 Phase								
Rating KVAR	Voltage V (AC)	Material code	I <sub>r</sub> A	C <sub>N</sub> F (Basic cells x F)	H x W x D mm	Packing units	MOQ	Approx. weight Kg
<b>SquareCap ESHDC - 480 V(AC) 3PH, 50Hz (Series B32455)</b>								
5	480	B32455L8005A 11	6.0	3 x 23	300 x 240 x 80	1	1	2.9
5.5	480	B32455L8005A561	6.6	3 x 25.3	300 x 240 x 80	1	1	3.1
6	480	B32455L8006A 11	7.2	3 x 28	405 x 225 x 80	1	1	4.0
7.5	480	B32455L8007A511	9.0	3 x 34.5	405 x 225 x 80	1	1	4.3
8	480	B32455L8008A 11	9.6	3 x 37	405 x 225 x 80	1	1	4.4
8.3	480	B32455L8008A361	10	3 x 38.2	405 x 225 x 80	1	1	4.4
9	480	B32455L8009A 11	10.8	3 x 41.5	405 x 225 x 80	1	1	4.5
10	480	B32455L8010A 11	12.0	3 x 46	405 x 225 x 80	1	1	4.5
11.1	480	B32455L8011A161	13.4	3 x 51.1	405 x 225 x 80	1	1	4.6
12	480	B32455L8012A 11	14.4	3 x 55.5	405 x 225 x 80	1	1	4.6
12.5	480	B32455L8012A511	15.0	3 x 58	405 x 225 x 80	1	1	4.8
13.8	480	B32455L8013A861	16.6	3 x 63.5	405 x 225 x 80	1	1	5.2
14.5	480	B32455L8014A511	17.4	6 x 33.5	400 x 225 x 155	1	1	7.8
15	480	B32455L8015A 11	18.0	6 x 34.5	400 x 225 x 155	1	1	7.8
16.6	480	B32455L8016A661	20	6 x 38.2	400 x 225 x 155	1	1	7.9
18	480	B32455L8018A 11	21.6	6 x 41.5	400 x 225 x 155	1	1	7.9
20	480	B32455L8020A 11	24.0	6 x 46	400 x 225 x 155	1	1	8.1
22.1	480	B32455L8022A161	26.6	6 x 51.1	400 x 225 x 155	1	1	8.3
25	480	B32455L8025A 11	30.0	6 x 58	400 x 225 x 155	1	1	8.5
27.7	480	B32455L8027A761	33.3	6 x 63.5	400 x 225 x 155	1	1	9.0
29	480	B32455L8029A 11	34.8	12 x 33.5	450 x 325 x 225	1	1	14.0
50	480	B32455L8050A 11	60.1	12 x 58	450 x 325 x 225	1	1	17.5
<b>SquareCap ESHDC - 525 V(AC) 3PH, 50Hz (Series B32455)</b>								
6.6	525	B32455L6006A611	7.3	3 x 25.4	405 x 225 x 80	1	1	3.2
10	525	B32455L6010A 11	11	3 x 38.5	405 x 225 x 80	1	1	4.4
12.5	525	B32455L6012A511	13.7	3 x 48	405 x 225 x 80	1	1	4.6
13.2	525	B32455L6013A211	14.5	3 x 50.8	405 x 225 x 80	1	1	4.6
15	525	B32455L6015A 11	16.5	6 x 28.9	400 x 225 x 155	1	1	7.7
16.6	525	B32455L6016A611	18.3	6 x 32	400 x 225 x 155	1	1	7.8
20	525	B32455L6020A 11	21.9	6 x 38.5	400 x 225 x 155	1	1	8.1
25	525	B32455L6025A 11	27.4	6 x 48	400 x 225 x 155	1	1	8.3
26.5	525	B32455L6026A511	29.1	6 x 50.8	400 x 225 x 155	1	1	8.5
33.1	525	B32455L6033A111	36.4	12 x 32	450 x 325 x 225	1	1	14.5
35	525	B32455L6035A 11	38.4	12 x 34	450 x 325 x 225	1	1	14.5
50	525	B32455L6050A 11	54.9	12 x 48	450 x 325 x 225	1	1	17.5

# SquareCap PFC Capacitors

Semi-dry biodegradable resin • Modular construction • Triple safety system

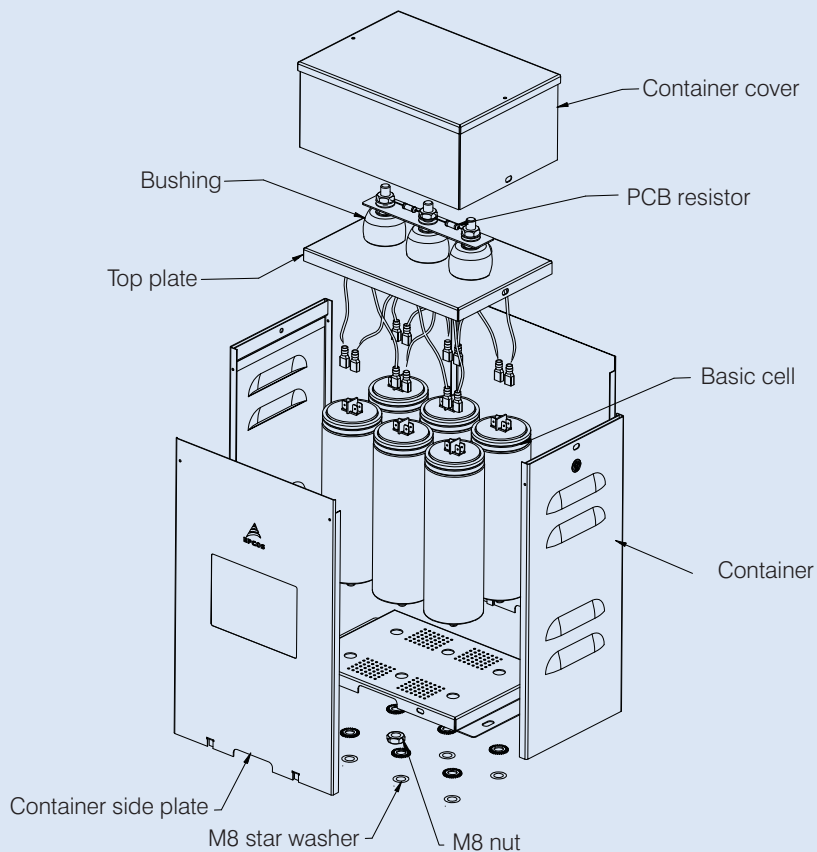


## SquareCap : Overall dimensions and information table



KVAr rating	Mounting brackets fixed/ separate/ sliding	Louvers/ holes	Basic cell	Mounting
<b>ENDC/EHDLL</b>				
1 to 2	fixed bracket	no	3	- - - -
3 to 5	fixed bracket	no	3	2 holes
6 to 15	seperate bracket	holes	3	2 slot
16 to 30	sliding bracket	2 louvers	6	4 slot
31 to 60	sliding bracket	8 louvers	6	12 slot
<b>ESHDC</b>				
1 to 2	fixed bracket	no	3	- - - -
3 to 5	fixed bracket	holes	3	2 slot
6 to 13	seperate bracket	holes	3	2 slot
14 to 25	sliding bracket	4 louvers	6	4 slot
26 to 50	sliding bracket	8 louvers	12	4 slot

## SquareCap : Exploded view





# LT-APP Capacitors

Biodegradable NPCB Oil impregnated • PP + Foil technology • Internal fuse protection



## General

APP Capacitor is proven technology from more than 30 years. The combination of polypropylene film and aluminum foil makes the capacitor, more robust in varying conditions of the load.

The power range varies from 5 KVAR to 100 KVAR and voltage range varies from 240V to 1000V in three phase units. Single phase units are also available on demand.

The LT-APP capacitors are utilized in industry for sustaining large load variations, THD and hazardous conditions. With high qualitative manufacturing process, LT-APP capacitors offer higher life expectancy.



## Applications

- Automated PFC Capacitor banks.
- Fixed PFC (e.g. – Motors, Transformers lighting etc.)
- Group compensation for larger load variation
- Tuned and detuned Capacitor
- Dynamic PFC and RTPFC
- Filter applications
- Product suitable for outdoor application, available on request.

## Features

- Extended foil design
- Low Energy consumption
- Natural air cooled.
- Voltage range, 230, 415, 440...1000V
- Output range 5 KVAR to 100 KVAR.

## Electrical

- Single phase and three phase
- Life expectancy 150,000 hrs. at STP
- Pulse current withstand capability –  $300 \times I_R$
- Type tested according to IS –13585
- Low temperature rise.

## Maintenance

- Maintenance free

## Safety

- Internal fuse provided
- Hermetically Sealed construction. (CRCA or SS)

# LT-APP Capacitors

Biodegradable NPCB Oil impregnated • PP + Foil technology • Internal fuse protection



Technical data : LT-APP Capacitors	
Series type	B25160
Power-KVAr	5 to 100 KVAr
Rated voltage-V (AC)	415...525 V*
Frequency	50 Hz /60Hz
Transient peak current maximum permissible	$(400 \text{ to } 500) \cdot I_R$
Maximum permissible temperature category	-5/D
Losses (without discharge resistors)	0.5 W/KVAr
Maximum permissible voltage	$V_R + 10\%$ (up to 8 h daily)/ $V_R + 15\%$ (up to 30 min daily)** $V_R + 20\%$ (up to 5 min daily)/ $V_R + 30\%$ (up to 1 min daily)**
Maximum permissible Current	$(2.2 \text{ to } 3.0) \cdot I_R^{***}$
Safety	Internal fuse provided
Impregnation	Non PCB, biodegradable oil
Life expectancy	300 000 hours
Cooling	ONAN (Oil Natural Air Natural)
Case shape/Finish	Rectangular box spray painted
Terminal	M- 6, M- 8, M-10 thread brass terminal
Mounting and grounding	Self standing with rigid mounting bracket and a bracket for grounding
Enclosure	IP 32 with terminal cover
Discharge resistor	Provided with external discharge resistor
Connection	Delta 3 Phase
Casing of capacitor cell	CRCA or SS container
Dielectric	Polypropylene film
No. of switching per annum	Max. 20 000 switching
Reference standard	IS: 13585 (part - 1/2012) ISI mark applicable for 415 and 440 V up to 25 KVAr. IEC 60931 - 1

\* other voltages available on request

\*\*  $V_R$  rated voltage

\*\*\*  $I_R$  : RMS line current that occurs at rated sinusoidal voltage and rated frequency, excluding transients.

Note : for capacitors with different features/parameters than above, please check with our nearest sales office

# LT-APP Capacitors

Biodegradable NPCB Oil impregnated • PP + Foil technology • Internal fuse protection



LT-APP Capacitors - 3Phase								
Rating KVA <sub>r</sub>	Voltage V (AC)	Material code	I <sub>r</sub> A	C <sub>n</sub> F	H x W x D mm	Packing units	MOQ	Approx. weight Kg
<b>LT - APP - 415 V(AC) 3PH, 50Hz (Series B25160)</b>								
5	415	B25160A4005T015	7	3 x 30.8	230 x 300 x 120	1	1	5.5
7.5	415	B25160A4007T515	10.4	3 x 46.2	265 x 300 x 120	1	1	7.5
10	415	B25160A4010T015	13.9	3 x 61.6	290 x 300 x 120	1	1	10
12.5	415	B25160A4012T515	17.4	3 x 77	340 x 300 x 120	1	1	12
15	415	B25160A4015T015	20.9	3 x 92.4	340 x 300 x 120	1	1	12
20	415	B25160A4020T015	27.8	3 x 123.2	415 x 300 x 120	1	1	15
25	415	B25160A4025T015	34.8	3 x 154	465 x 300 x 120	1	1	17
30	415	B25160A4030T015	41.7	3 x 184.8	515 x 300 x 120	1	1	19
50	415	B25160A4050T015	69.6	3 x 308	750 x 300 x 120	1	1	31
<b>LT - APP - 440 V(AC) 3PH, 50Hz (Series B25160)</b>								
5	440	B25160A4005T040	6.6	3 x 27.4	230 x 300 x 120	1	1	5.5
7.5	440	B25160A4007T540	9.8	3 x 41.1	265 x 300 x 120	1	1	7.5
10	440	B25160A4010T040	13.1	3 x 54.8	290 x 300 x 120	1	1	10
12.5	440	B25160A4012T540	16.4	3 x 68.5	315 x 300 x 120	1	1	11
15	440	B25160A4015T040	19.7	3 x 82.2	340 x 300 x 120	1	1	12
20	440	B25160A4020T040	26.2	3 x 109.6	390 x 300 x 120	1	1	14
25	440	B25160A4025T040	32.8	3 x 137	440 x 300 x 120	1	1	16
30	440	B25160A4030T040	39.4	3 x 164.4	490 x 300 x 120	1	1	18
50	440	B25160A4050T040	65.6	3 x 274	690 x 300 x 120	1	1	28
<b>LT - APP - 480 V(AC) 3PH, 50Hz (Series B25160)</b>								
5	480	B25160A4005T080	6	3 x 23	215 x 300 x 120	1	1	5
7.5	480	B25160A4007T580	9	3 x 34.5	265 x 300 x 120	1	1	7.5
10	480	B25160A4010T080	12	3 x 46.1	265 x 300 x 120	1	1	8
12.5	480	B25160A4012T580	15	3 x 57.6	290 x 300 x 120	1	1	10
15	480	B25160A4015T080	18	3 x 69.1	315 x 300 x 120	1	1	11
20	480	B25160A4020T080	24.1	3 x 92.1	365 x 300 x 120	1	1	13
27.67	480	B25160A4027T080	33.3	3 x 127.4	415 x 300 x 120	1	1	16
30	480	B25160A4030T080	36.1	3 x 138.2	440 x 300 x 120	1	1	16
50	480	B25160A4050T080	60.1	3 x 230.3	615 x 300 x 120	1	1	23
<b>LT - APP - 525 V(AC) 3PH, 50Hz (Series B25160)</b>								
5	525	B25160A5005T025	5.5	3 x 19.2	215 x 400 x 120	1	1	7
7.5	525	B25160A5007T025	8.2	3 x 28.9	230 x 400 x 120	1	1	8
10	525	B25160A5010T025	11	3 x 38.5	240 x 400 x 120	1	1	9
12.5	525	B25160A5012T525	13.7	3 x 48.1	265 x 400 x 120	1	1	10
15	525	B25160A5015T025	16.5	3 x 57.7	290 x 400 x 120	1	1	11
20	525	B25160A5020T025	22	3 x 77	315 x 400 x 120	1	1	13
25	525	B25160A5025T025	27.5	3 x 96.2	120 x 365 x 400	1	1	16
30	525	B25160A5030T025	33	3 x 15.5	390 x 400 x 120	1	1	18
50	525	B25160A5050T025	55	3 x 192.5	540 x 400 x 120	1	1	28