

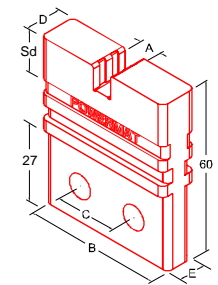
Polyamide Series



Finger Supports-N Series (Polyamide)

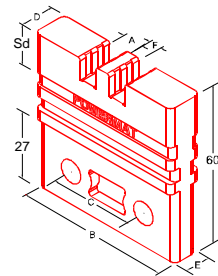
N1 Series

Busbar Details	POWERMAT Code	A	B	C	D	E	F	Sd
6mm x 1 run	106 N1	7	50	22	13	9	-	8
10mm x 1 run	110 N1	11	50	22	13	9	-	8
12mm x 1 run	112 N1	13.7	50	22	13	9	-	8



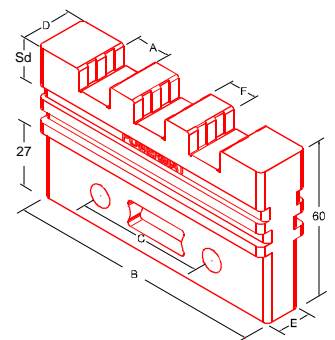
N3 Series

6mm x 1 run	106 N3	7	60	32	13	9	-	8
10mm x 1 run	110 N3	11	60	32	13	9	-	8
12mm x 1 run	112 N3	13.7	60	32	13	9	-	8
6mm x 2 runs	206 N3	7	60	32	13	9	5.8	8
10mm x 2 runs	210 N3	11	60	32	13	9	9	8
12mm x 2 runs	212 N3	13.7	60	32	13	9	11.8	8



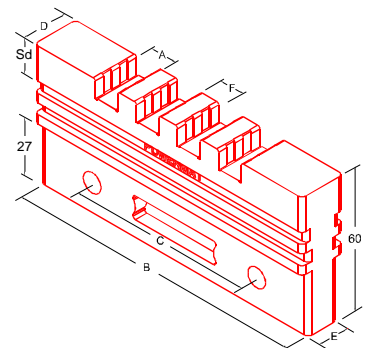
N4 Series

10mm x 3 runs	310 N4	11	85	50	13	9	9	8
12mm x 3 runs	312 N4	13.7	85	50	13	9	11	8
6mm x 4 runs	406 N4	7	85	50	13	9	5.6	8



N5 Series

6mm x 1 run	106 N5	7	70	40	20	14	-	8
10mm x 1 run	110 N5	11	70	40	20	14	-	8
12mm x 1 run	112 N5	13.7	70	40	20	14	-	8
6mm x 2 runs	206 N5	7	70	40	20	14	5.8	8
10mm x 2 runs	210 N5	11	70	40	20	14	9	8
12mm x 2 runs	212 N5	13.7	70	40	20	14	11	8
6mm x 3 runs	306 N5	7	70	40	20	14	5.8	8



N7 Series

10mm x 3 runs	310 N7	11	100	50	20	14	9	8
12mm x 3 runs	312 N7	13.7	100	50	20	14	11	8
6mm x 4 runs	406 N7	7.2	100	50	20	14	5.6	8
6mm x 6 runs	606 N7	7.2	100	50	20	14	5	8

N9 Series

10mm x 4 runs	410 N9	11	130	80	20	14	9	8
12mm x 4 runs	412 N9	13.7	130	80	20	14	11	8

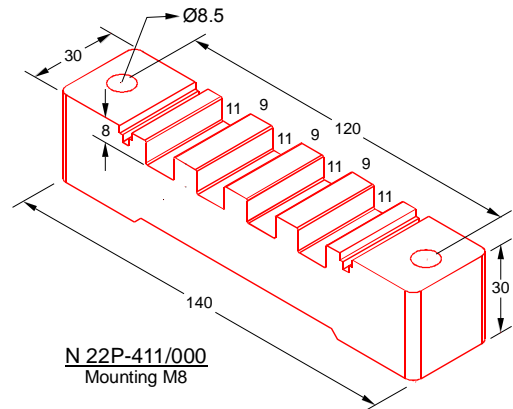
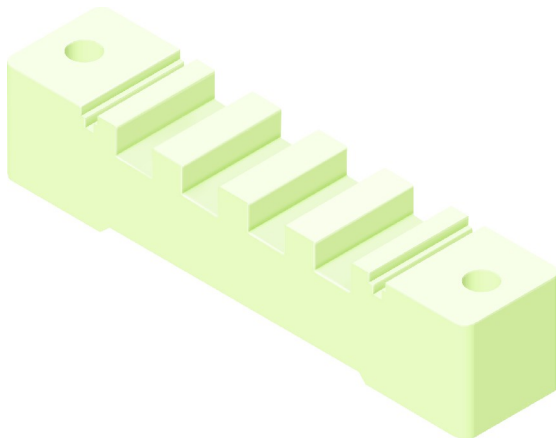
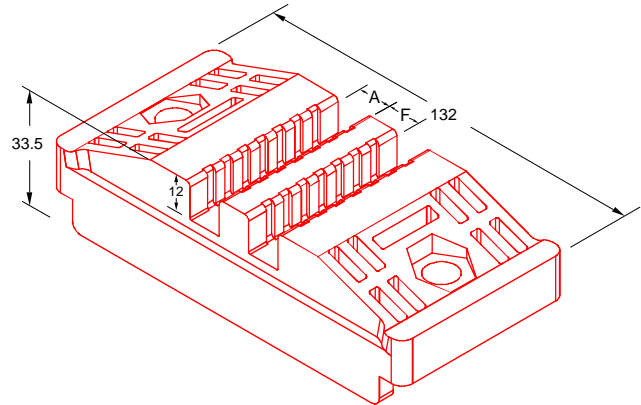
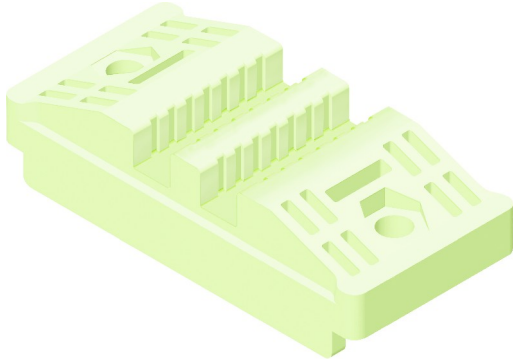
• Material : Polyamide / Nylon 6/6 (17% Glass Filled)
• All Dimensions are in MM

• Mounting Hole Ø 8.5mm
• Mounting Detail on Page No. 63, 64

• For technical details of Busbar support & Insulator, please refer POWERMAT TECHNICAL NOTES - 01/15.
• For checking the suitability of a support & insulator for a fault current, please ask for POWERMAT FAULT LEVEL CALCULATOR Software.

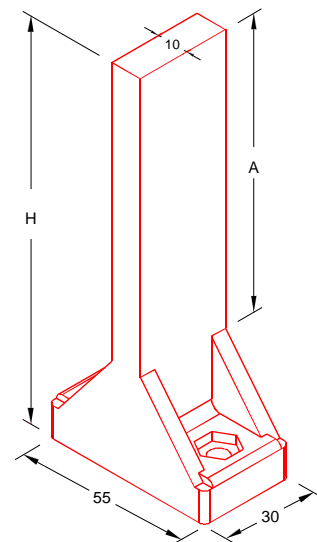
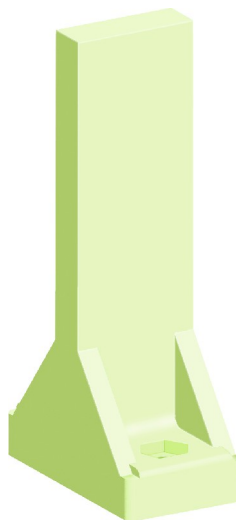
POWERMAT

POWERMAT Code	Part Code	A max.	F min.
10mm x 2 runs	132PAGP210	11	9
12mm x 2 runs	132PAGP212	13.7	11
6mm x 3 runs	132PAGP306	7	5.4
6mm x 4 runs	132PAGP406	7.2	5.2



T-Support

POWERMAT Code	H mm	A mm
PAT - 85	85	52
PAT - 125	125	94



- Material : Polyamide / Nylon 6/6 (17% Glass Filled)
- All Dimensions are in MM
- Mounting Detail on Page No. 65
- For technical details of Busbar support & Insulator, please refer POWERMAT TECHNICAL NOTES - 01/15.
- For checking the suitability of a support & insulator for a fault current, please ask for POWERMAT FAULT LEVEL CALCULATOR Software.