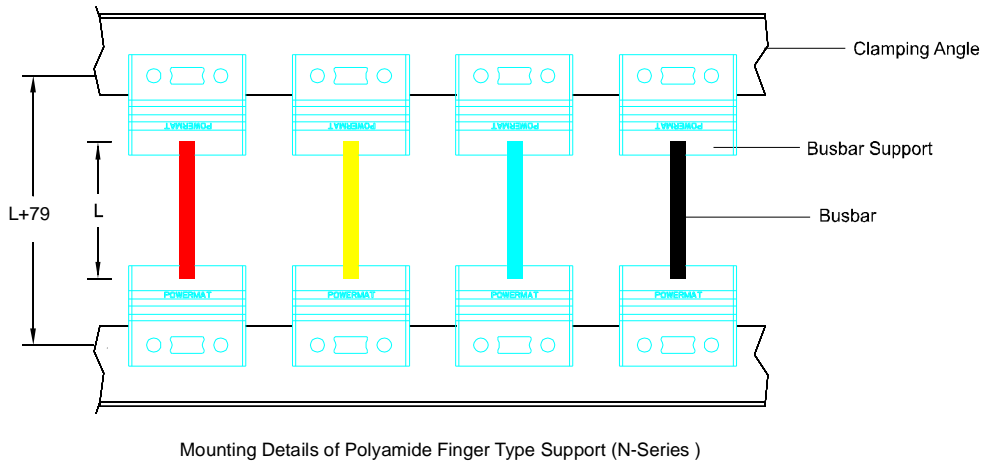
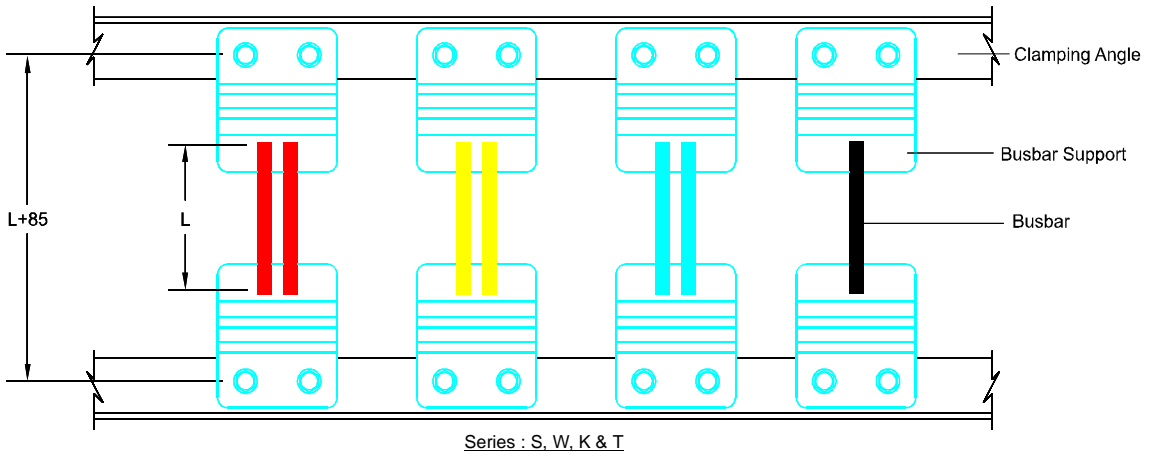
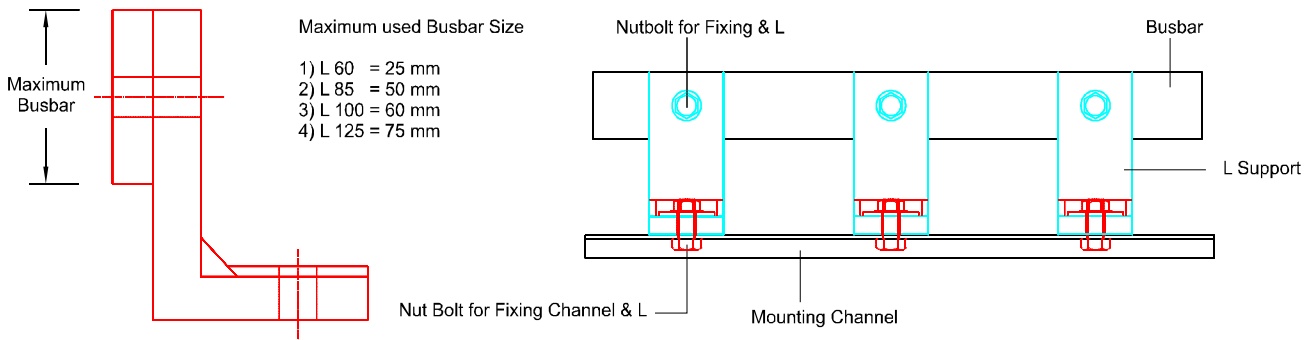
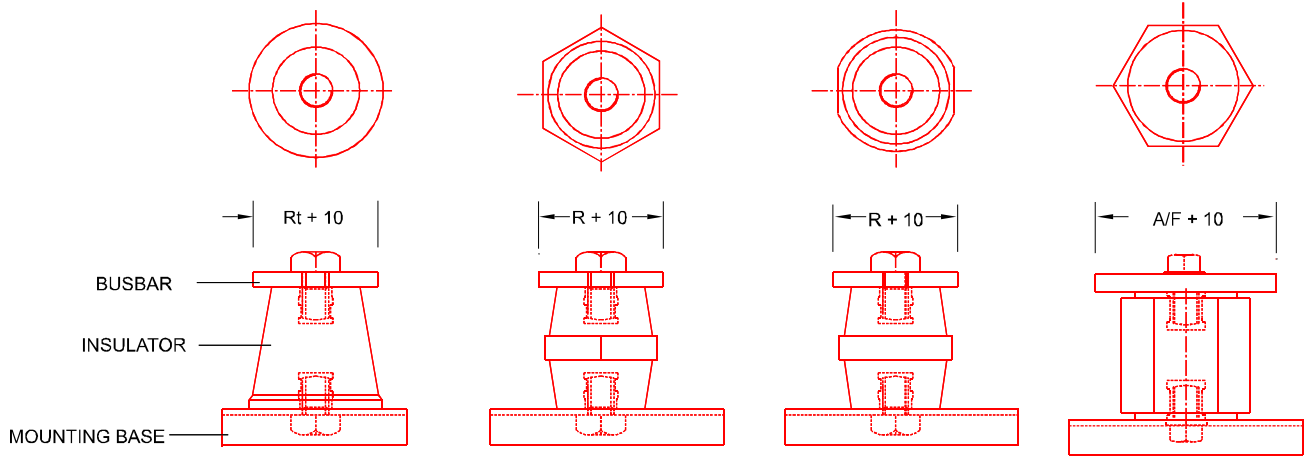
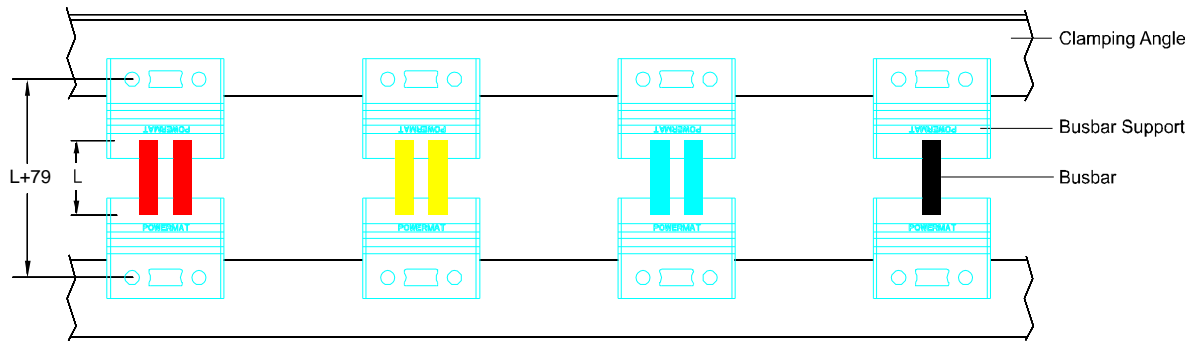


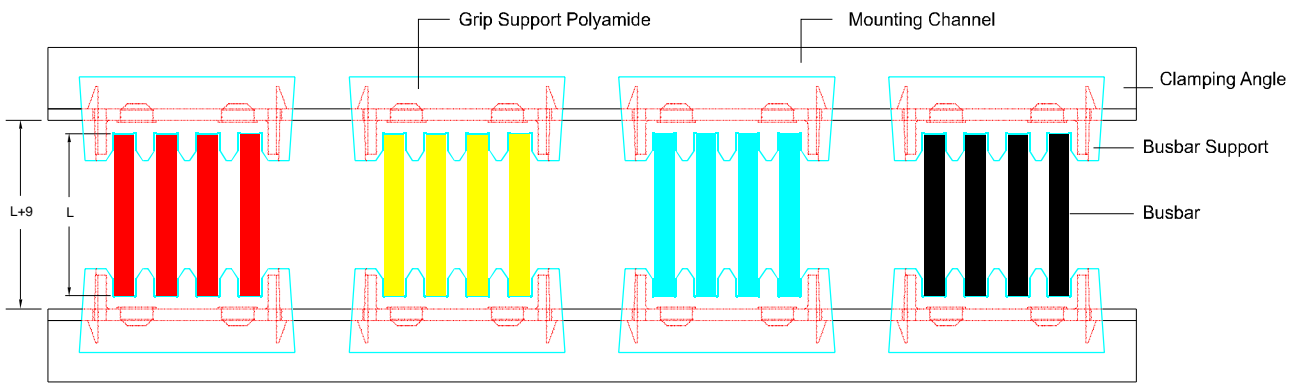
# Mounting Detail



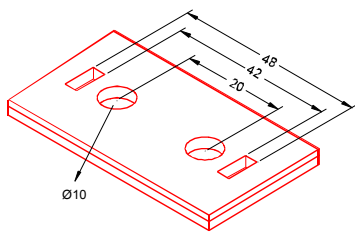
# Mounting Detail



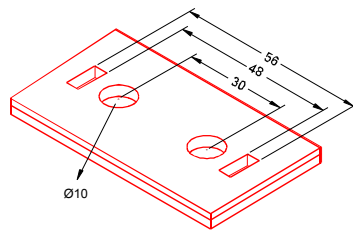
Mounting Details of Polyamide Finger Type Support (N-Series)



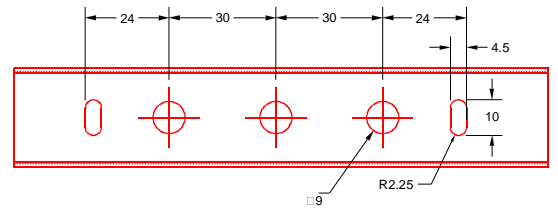
Mounting detail of PAGP 407



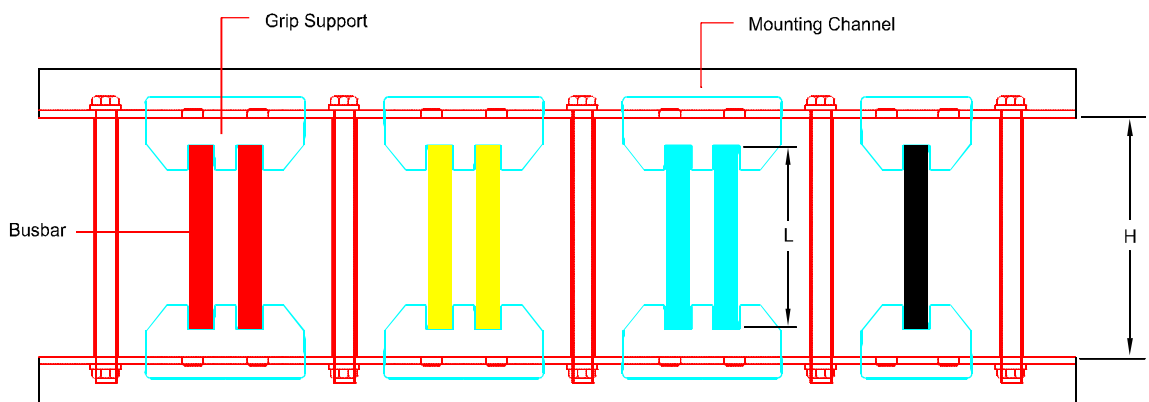
Mounting Fixture for  
PAGP Series 110, 112, 206, 210, 307



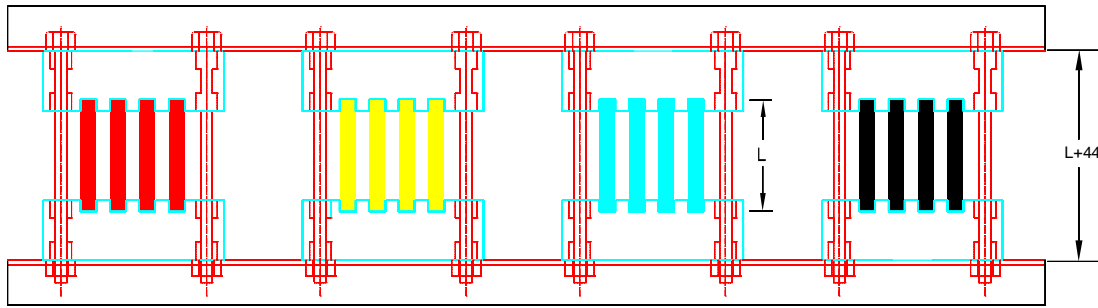
Mounting Fixture for PAGP-407



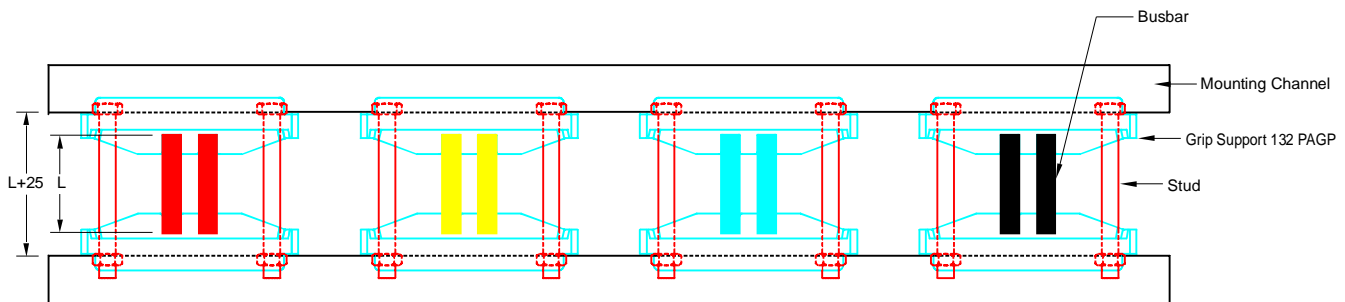
Mounting Fixture for 118 PAGP-510



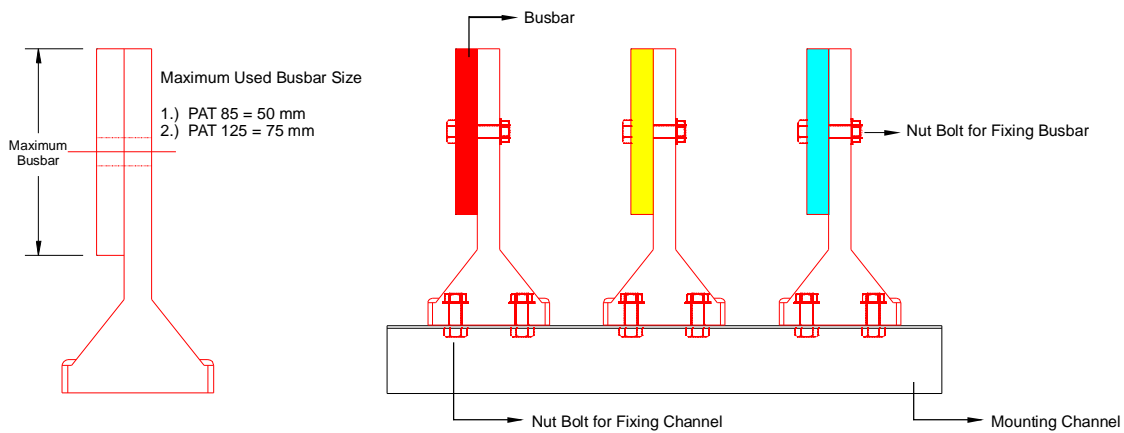
H for GP Series L+15  
H for GPS Series L+10



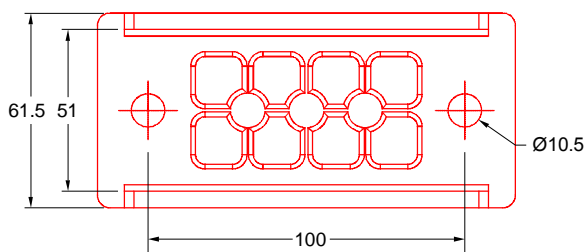
Mounting Details of N 22P 411/000



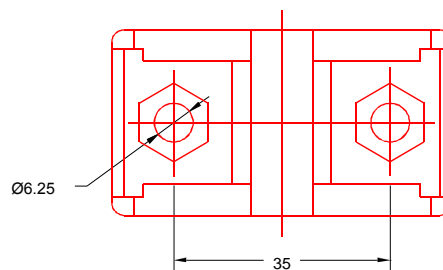
Mounting Details of 132 PAGP Series



Mounting Details of PAT Series

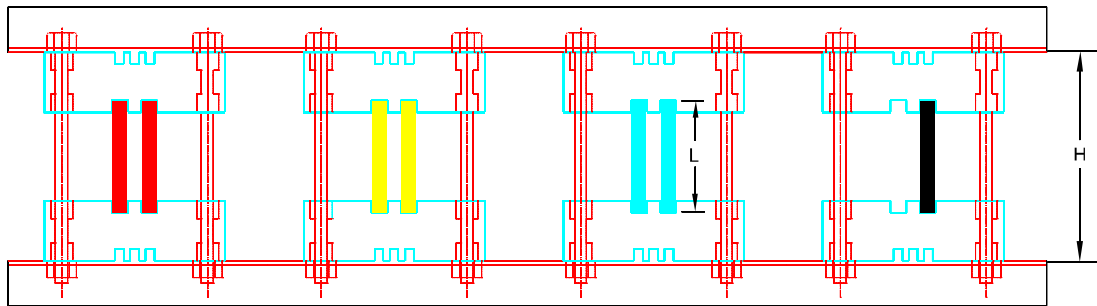
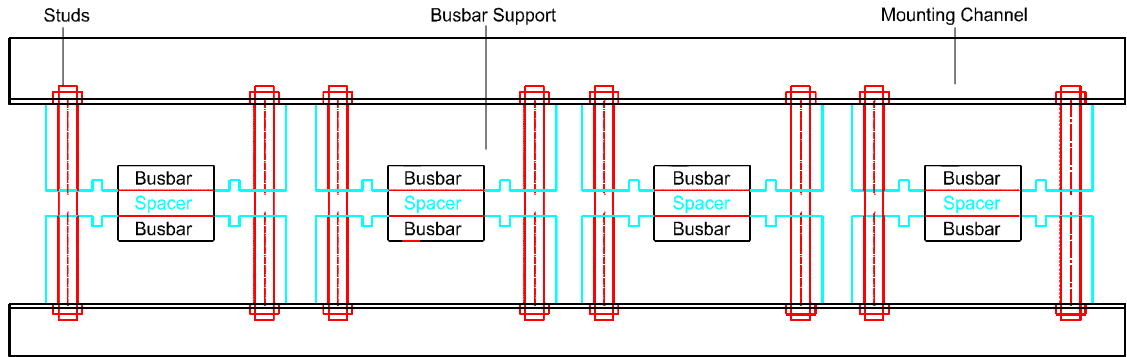


Bottom Details of 132 PAGP Series

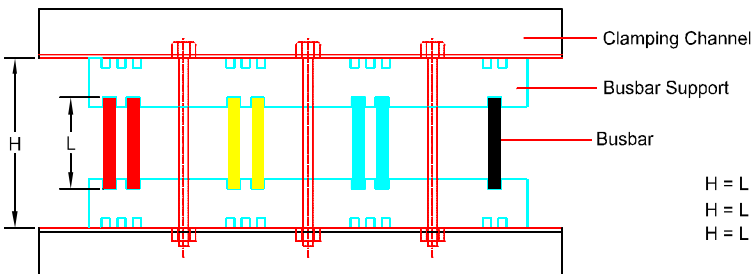


Top Details of PAT Series

# Mounting Detail

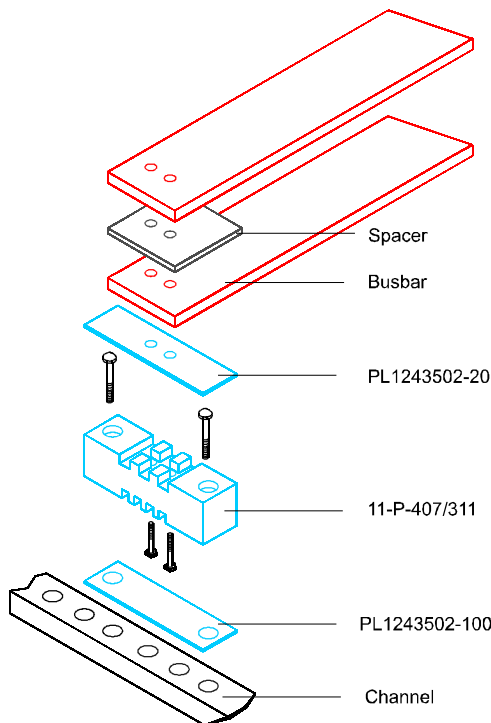


$H = L + 64\text{mm}$  (for 10p, 11p, 12p, 14p Series)  
 $H = L + 44\text{mm}$  (for 20p, 21p, 22p, 24p Series)



$H = L + 64\text{mm}$  (for 30p, 31p, 32p, 42p, 43p, 65p Series)  
 $H = L + 93\text{mm}$  (for 45p Series)  
 $H = L + 54\text{mm}$  (for 60p, 61p, 62p Series)

L = Bus Bar Length



### Torque chart - recommended values - indicative only

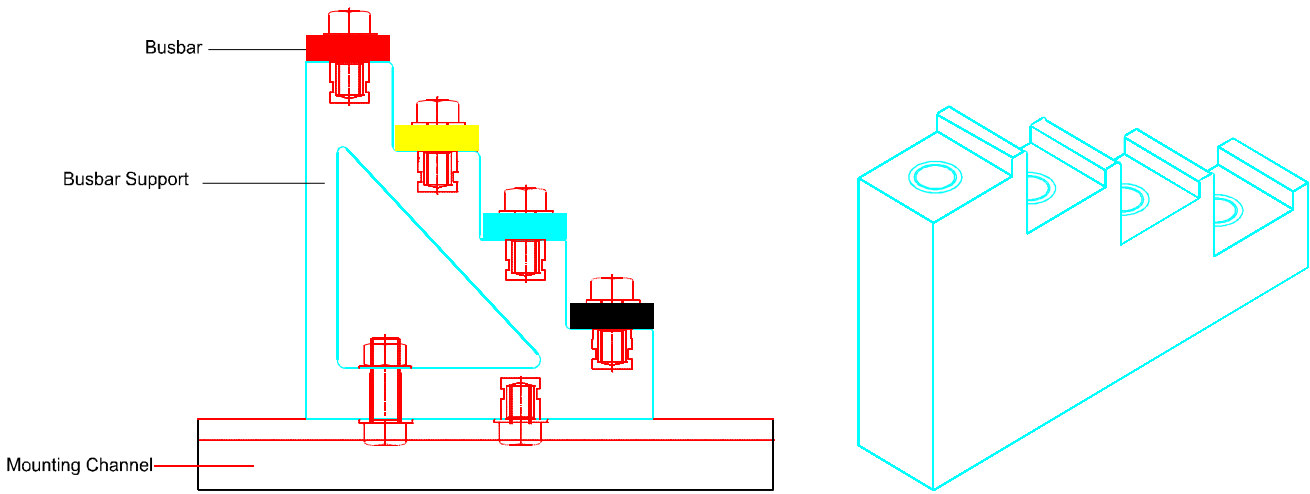
Metric Bolt Size	Torque N-m
M 4	2.3 - 2.9
M 5	4.5 - 6.0
M 6	7.7 - 10
M 8	19 - 25
M 10	37 - 49
M 12	65 - 86
M 16	155 - 210
M 20	305 - 410
M 22	415 - 550

\* Range for Bolt used Grade 6.8 - 8.8

### Insert Material & Grade

Material	Grade
Mild Steel (MS)	EN1AL
Aluminium Alloy (Al)	6061 - T6
Brass (B)	BS EN12164 CW 614N
Stainless Steel (SS)	303L

**Mounting Detail**



30, 40, 50 Series

