

# FRP / Epoxy Pultruded Sections



**RODS**

POWERMAT code	Ø Dia (mm)
PROD 006	6
PROD 007	7
PROD 008	8
PROD 010	10
PROD 012	12
PROD 016	16
PROD 020	20
PROD 025	25

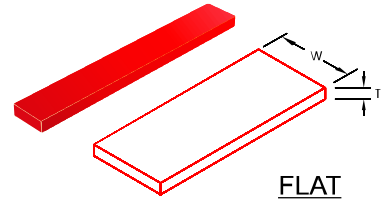
\*\* Length 1 meter or can be any as per requirement.  
Material:- Polyester/Epoxy.



**TUBES**

POWERMAT code	Ø Dia (mm)	
	I.D	O.D
PT 0610	6.5	10
PT 0812	8.5	12
PT 1016	10.5	16
PT 1220	12.5	20
PT 2025	19.0	25

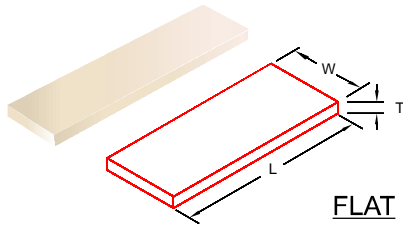
\*\* Length 1 meter or can be any as per requirement.  
Material:- Polyester/Epoxy.



**FLAT**

POWERMAT code	Dimension (mm)	
	W	T
PF 0425	25	04
PF 1225	25	12
PF 1030	30	10
PF 1040	40	10
PF 1050	50	10
PF 2060	60	20

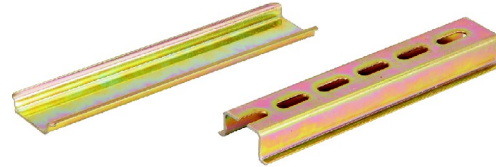
\*\* Length 1 meter or can be any as per requirement.  
Material:- Polyester/Epoxy.



**FLAT**

POWERMAT code	Dimension (mm)		
	W	T	L
SF 205035	50	20	350
SF 403560	35	40	600
SF 305078	50	30	780

\*\* Material SMC

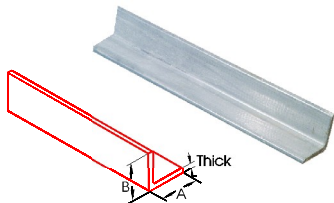


**DINRAIL**  
Plane & Slotted

DIN 357508	- 35 x 7.5 x 0.8mm
DIN 357510	- 35 x 7.5 x 1.0mm
DIN 351515	- 35 x 15 x 1.5mm
DIN 32150915	- 32 x 15 x 1.5mm

DIN 357508 S	- 35 x 7.5 x 0.8mm
DIN 357510 S	- 35 x 7.5 x 1.0mm
DIN 351515 S	- 35 x 15 x 1.5mm
DIN 32150915 S	- 32 x 15 x 1.5mm

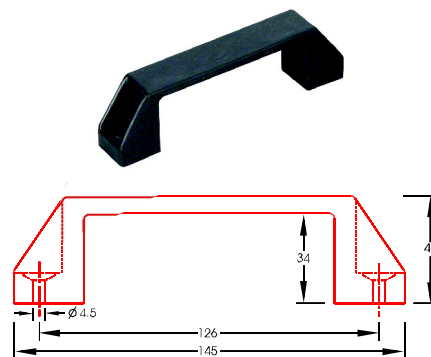
\* Standard length 1 metre or can be any as per requirement  
Material CRGO Sheet, Zinc Passivated



**ANGLES**

POWERMAT code	Dimension (mm)		
	A	B	Thk.
PA 353505	35	35	5
PA 505006	50	50	6
PA 755010	75	50	10

\*\* Length 1 meter or can be any as per requirement.  
Material:- Polyester.



**ABS HANDLE**  
AH 40145

- Material : SMC (Sheet Moulding Compound) UL File No. QEUY2.E249670 (Halogen Free)
- All Dimensions are in MM