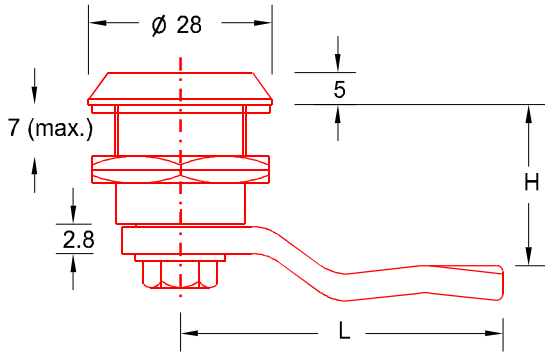
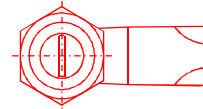


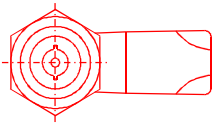
# Locks for Panel Board



Screw Driver Head



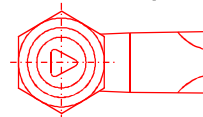
Point Head



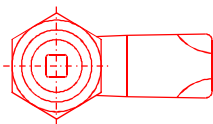
POWERMAT Code	Dimension	
	H	L
101-2L25S	25	35
101-225L	25	45
101-245S	45	35
101-245L	45	45
101-250S	50	35
101-250L	50	45
101-255S	55	35
101-255L	55	45

POWERMAT Code	Dimension	
	H	L
101-125S	25	35
101-125L	25	45
101-145S	45	35
101-145L	45	45
101-150S	50	35
101-150L	50	45
101-155S	55	35
101-155L	55	45
101-130L	30	45

Triangle Head



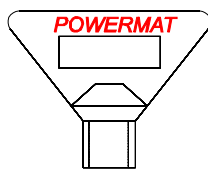
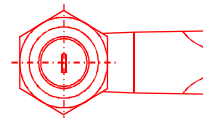
Square Head



POWERMAT Code	Dimension	
	H	L
101-425S	25	35
101-425L	25	45
101-445S	45	35
101-445L	45	45
101-450S	50	35
101-450L	50	45
101-455S	55	35
101-455L	55	45

POWERMAT Code	Dimension	
	H	L
101-325S	25	35
101-325L	25	45
101-345S	45	35
101-325L	45	45
101-350S	50	35
101-350L	50	45
101-355S	55	35
101-355L	55	45

Key Head

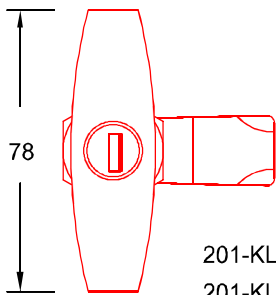


Key

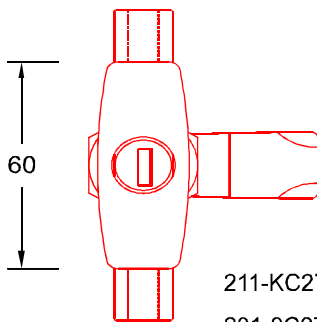


POWERMAT Code	Dimension	
	H	L
101-KL25S	25	35
101-KL25L	25	45
101-KL45S	45	35
101-KL45L	45	45
101-KL50S	50	35
101-KL50L	50	45
101-KL55S	55	35
101-KL55L	55	45

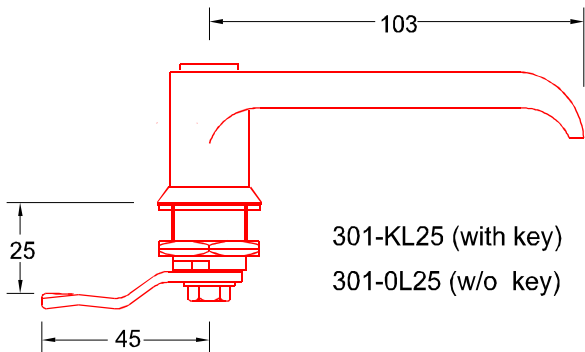
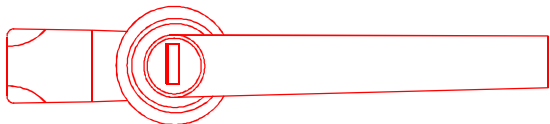
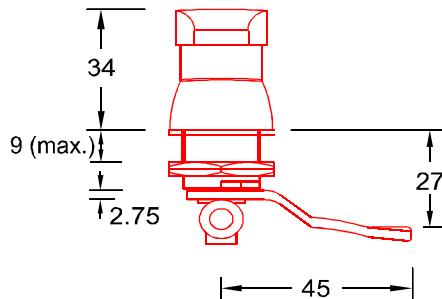
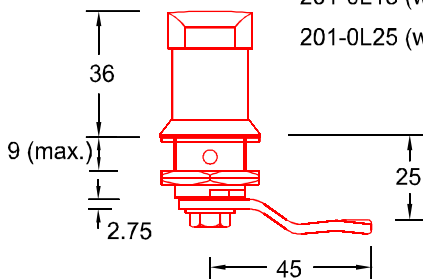
**Locks for Panel Board**



201-KL18 (with key)  
201-KL25 (with key)  
201-OL18 (w/o key)  
201-OL25 (w/o key)



211-KC27 (with key)  
201-OC27 (w/o key)



301-KL25 (with key)  
301-OL25 (w/o key)

Specification :  
Body material - Zinc alloy ( Zamak3 ).  
Lever material- Mild Steel  
Both are Chrome plated.

• All Dimensions are in MM